

# Cable Tray / Ladder Tray

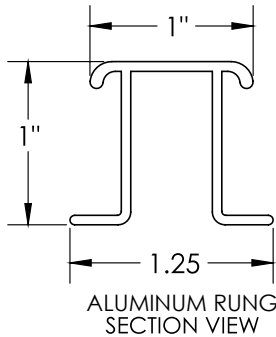
## HT-XXXXXXA

## PowerTray™ Fittings

Manufactured in the USA by MonoSystems, Inc.

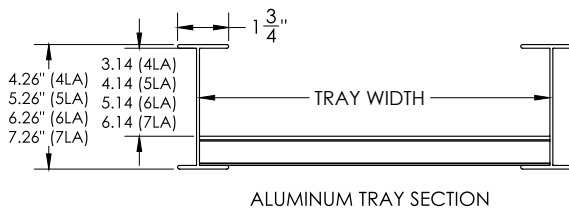


### HORIZONTAL TEE: B, C, D & E SERIES RAIL



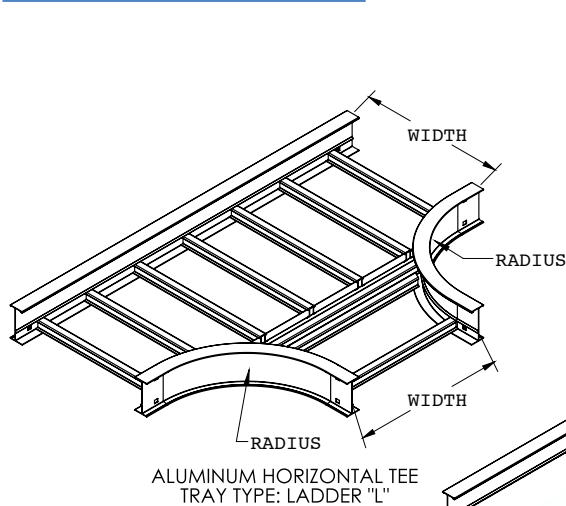
#### Notes

- 1.) One pair of splice connectors and included hardware are provided for each fitting. (M.S.I P/N: A4-2001, A5-2001, A6-2001, A7-2001).
- 2.) Views for reference - do not scale.



#### ORDERING DATA EXAMPLE:

## HT-RRWWXXA



**FITTING TYPE**  
HT = HORIZONTAL TEE

**RADIUS**  
12 = 12"  
18 = 18"  
24 = 24"  
36 = 36"  
42 = 42"

**WIDTH**  
09 = 9" WIDE  
12 = 12" WIDE  
18 = 18" WIDE  
24 = 24" WIDE  
30 = 30" WIDE  
36 = 36" WIDE  
42 = 42" WIDE

**TRAY TYPE**  
L = LADDER  
S = SOLID BOTTOM

**TRAY MATERIAL**  
A = ALUMINUM

**HEIGHT**

4 = 4" (3" DEPTH)  
5 = 5" (4" DEPTH)  
6 = 6" (5" DEPTH)  
7 = 7" (6" DEPTH)



4 International Drive  
Rye Brook, NY 10573  
Toll Free: 1 888.764.7681  
Phone: 914.934.2075  
Fax: 914.934.2190  
MonoSystems.com

**MonoSystems™**  
wire management. managed.™