

Cable Tray / Ladder / Aluminum HD6A Series

NEMA Load Class: 20C+
CSA Load Class: 131 kg/m 7.6m

PowerTray™

Manufactured by MonoSystems, Inc.

HD6A/STRAIGHT SECTION

General Information

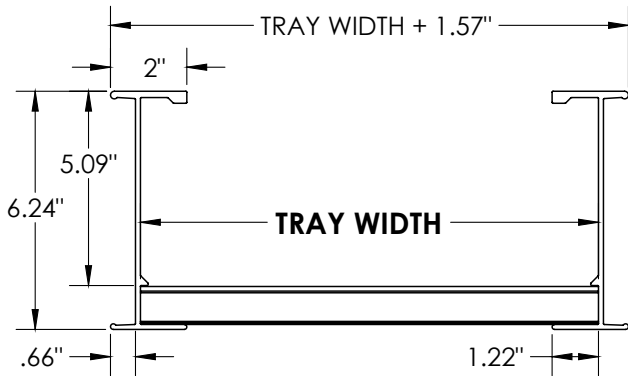
TRAY DESIGN: Construction and markings are per the latest edition of NEMA Standards Pub. VE1, CSA C22.2 No. 126.

TRAY GROUNDING CAPABILITY: Classified as an equipment grounding conductor per N.E.C. 392.7 with a maximum 1600 ampere rating. UL Cross Sectional area: 2.00 in²

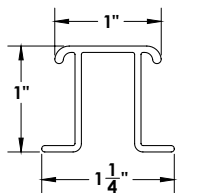
CONNECTORS: Supplied in pairs with hardware. Splice resistance is less than 0.00033 ohms. Standard hardware: 3/8 in. cadmium-plated with clear zinc topcoat. Stainless steel hardware is available upon request.

MonoSystems trays marked with CSA load class have been tested (loading, finish and electrical) by UL to CSA standard 126 22.2

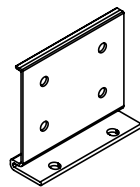
Material: Aluminum 6063-T6 Alloy



Siderail: 6.24"
Load Depth: 5.09



RUNG SECTION VIEW



A6-2012
MID-SPAN
SPLICE PLATES

LOAD CHART*

POWER-TRAY RAIL DATA	RAIL TYPE: HD6A					
SPAN (ft)	16	18	20	22	24	25
MAX LOAD (lbs/ft)	261	206	167	138	116	88
DEFLECTION MULTIPLIER	0.0085	0.014	0.021	0.030	0.043	0.051



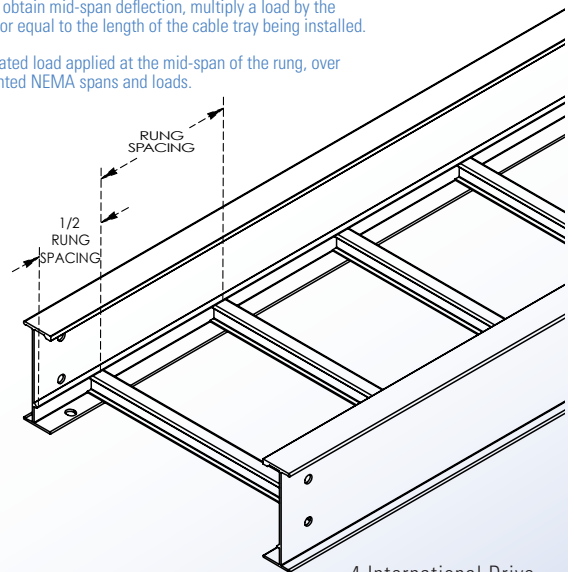
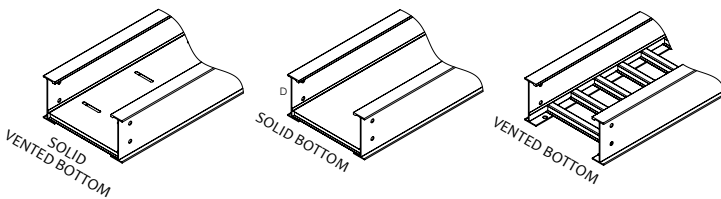
Classified by UL as equipment grounding conductors per NEC 392.7.

FILE: E80034

* Values are based on simple beam tests per NEMA VE 1 on 36" wide cable tray with rungs spaced on 12" centers. Cable trays will support, without collapse, a 200 lb. (90.7 kg) concentrated load over and above published loads. Published load safety factor is 1.5.

To convert 1.5 safety factor to 2.0, multiply the published load by 0.75. To obtain mid-span deflection, multiply a load by the deflection multiplier. Cable tray must be supported on spans shorter than or equal to the length of the cable tray being installed.

Individual rungs will support without collapse a 200 lb. (90.7 kg) concentrated load applied at the mid-span of the rung, over and above the NEMA rated cable load with a 1.5 safety factor for highlighted NEMA spans and loads.



ORDERING DATA EXAMPLE:

PowerTray, 6.24" High Ladder, Aluminum, 12" Rung Spacing, 24" Wide, 25' Long

HD6A 12 - 24 - 240 - FP - K

RAIL SERIES

HD6A = 6.24" HIGH ALUMINUM SIDE RAIL

RUNG SPACING

09 = 9"
12 = 12"
04 = VENTED BOTTOM
SB = SOLID BOTTOM
SBV = SOLID VENTED BOTTOM

TRAY WIDTH

06 = 6"
09 = 9"
12 = 12"
18 = 18"
24 = 24"
30 = 30"
36 = 36"

TRAY LENGTH

240 = 20'
300 = 25'

PLATE

NONE = REGULAR PLATE
FP = FLAT PLATE

4 International Drive
Rye Brook, NY 10573
Toll Free: 1 888.764.7681
Phone: 914.934.2075
Fax: 914.934.2190
MonoSystems.com

