

J-Hook / Steel H-CSE-12

The Hook™ Accessories

Manufactured by MonoSystems, Inc.

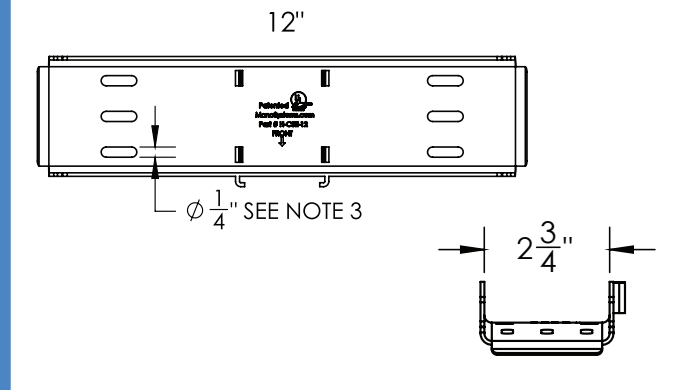
CABLE SUPPORT EXTENDER

Notes:

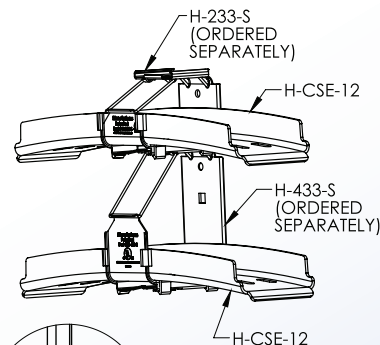
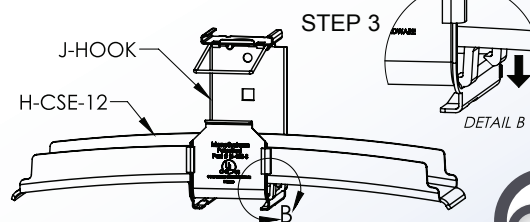
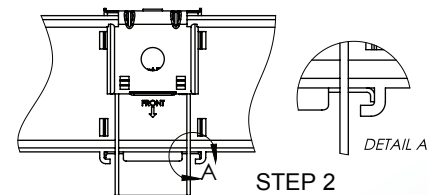
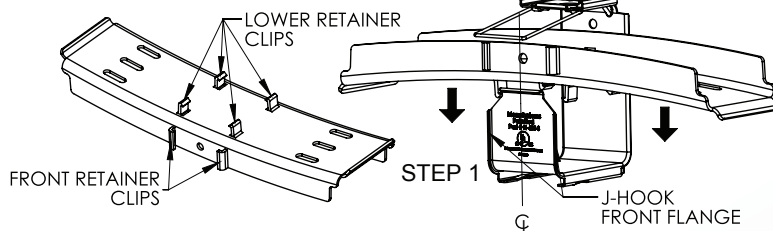
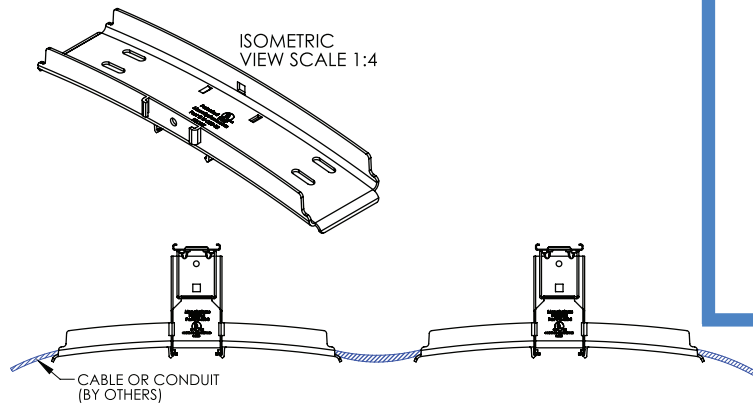
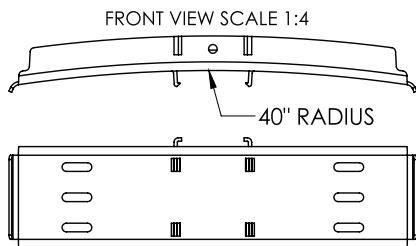
- 1.) Material: RTP 199 x 127145 F durable glass fiber polypropylene (low smoke density), listed to UL2043 and UL94 flame rated.
- 2.) Suitable for use in air handling spaces (plenums) in accordance with section 300.22 (C) and (D) of the NEC code and rules 12-010 (3), (4), (5), and 12-020 of the Canadian electrical code, part 1.
- 3.) Color: gray, unit weight: 0.2 Lbs.
- 4.) Use to extend cable or conduit carrying platform of H-233-S or H-433-*
- 5.) Suitable for use with fiber optic cabling.
- 6.) Smooth surfaces allow for pulling.
- 7.) H-CSE-12 does not interfere with linkability of J-hooks.
- 8.) Load rating of H-CSE-12 meets the static load rating of the mating hooks.
- 9.) Six (6) $\varnothing 1/4"$ slots for cable securement straps or ties (by others).
- 10.) Attaches to H-233-S or H-433-* J-hooks free of hardware or tools.
- 11.) Wire fill accommodations are reduced by 4.5% when using a H-CSE-12 cable support extender within a H-433 or H-233 Hook.
- 12.) Complies with ANSI/TIA-569-D.
- 13.) Tested in accordance with DIN 4102-12, UL 2239, and CSA C22.2 NO. 18.4.
- 14.) Views for reference - do not scale.

To Install:

- Step 1: Insert and center the H-CSE-12 in the J-hook cavity.
- Step 2: Align H-CSE-12 front retainer clips with front flange of the J-hook.
- Step 3: Slide H-CSE-12 straight downward into place until the lower retainer clips. Completely snap onto the bottom of the J-hook.



FILE: E465838



4 International Drive
Rye Brook, NY 10573
Toll Free: 1 888.764.7681
Phone: 914.934.2075
Fax: 914.934.2190
MonoSystems.com

