

# J-Hook / Steel H-433-S

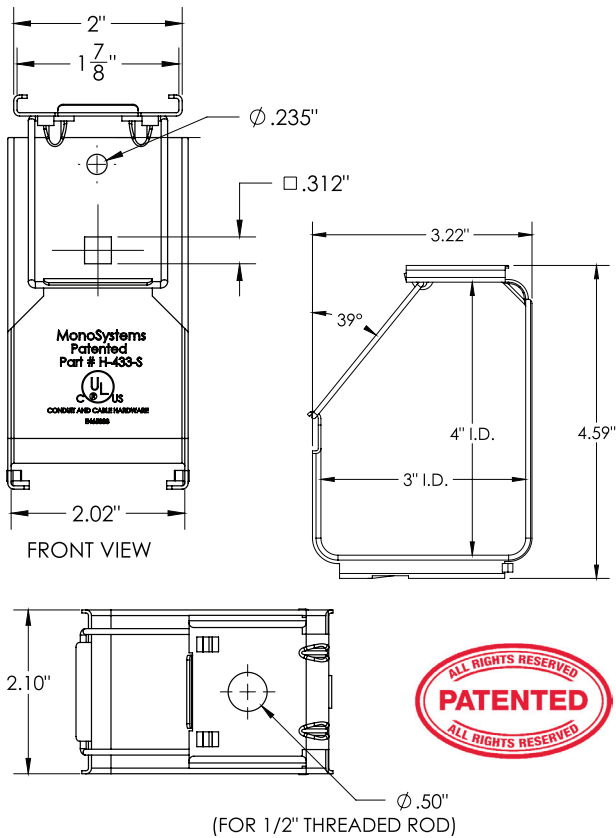
## The Hook™

Manufactured by MonoSystems, Inc.

### H-433-S

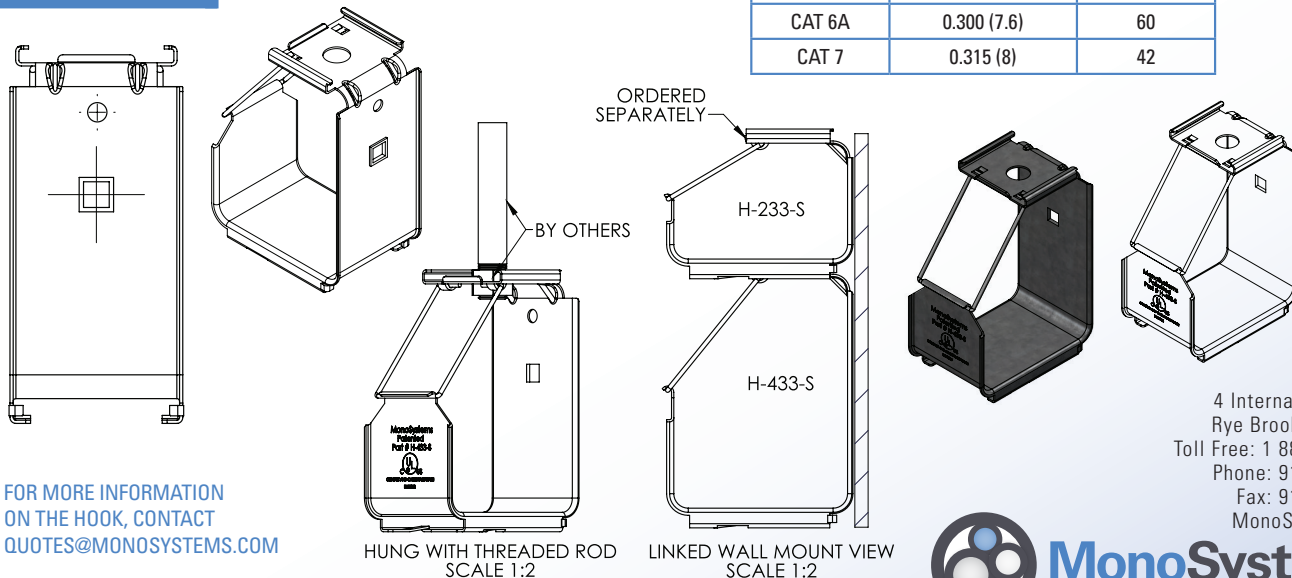
#### Notes:

- 1.) May be linked top to bottom infinitely. Directly compatible and linkable with other H-433-S hooks and/or smaller H-233-S hooks.
- 2.) Integrated wire retainer clip provides protection & security.
- 3.) Optimal support for high performance cable, up to and including CAT5e, CAT6, CAT 6A, CAT 7 and fiber optic. Radiused edges prevent damage to contents.
- 4.) May be secured to walls, beams, threaded rod, trusses, cable trays, rack systems and other systems.
- 5.) A single H-433-S has a static load of 75 lbs. When adding additional hooks without additional points of support, the load for each hook should be divided by the number of hooks on the total tiering. For example (4) H-433-S hooks would have a max. load of 18.75 lbs each.
- 6.) UL listed and compliant with UL2043 and suitable for use in air handling (plenum) spaces.
- 7.) Tested in accordance with DIN 4102-12, UL2239, and CSA C22.2 No. 18.4.
- 8.) Complies with EN 50174-2.
- 9.) Complies with ANSI/TIA-569-D.
- 10.) Meets ISO/IEC 14763-2, ANSI/TIA568 and ANSI/TIA 569.
- 11.) Unit weight: 0.3 lbs/ea. cross sectional area = 10.553 in 2.



PART NUMBER	MATERIAL
H-433-S	GALVANIZED STEEL
H-433-SS	STAINLESS STEEL

H-433 (THE HOOK) CAPACITY		
CABLE TYPE	CABLE/WIRE SIZE	FILL
CAT 5e	0.210 (5.3)	150
CAT 6	0.250 (6.3)	100
CAT 6A	0.300 (7.6)	60
CAT 7	0.315 (8)	42



FOR MORE INFORMATION  
ON THE HOOK, CONTACT  
[QUOTES@MONOSYSTEMS.COM](mailto:QUOTES@MONOSYSTEMS.COM)

4 International Drive  
Rye Brook, NY 10573  
Toll Free: 1 888.764.7681  
Phone: 914.934.2075  
Fax: 914.934.2190  
MonoSystems.com

