

J-Hook / Steel H-433-H

The Hook™

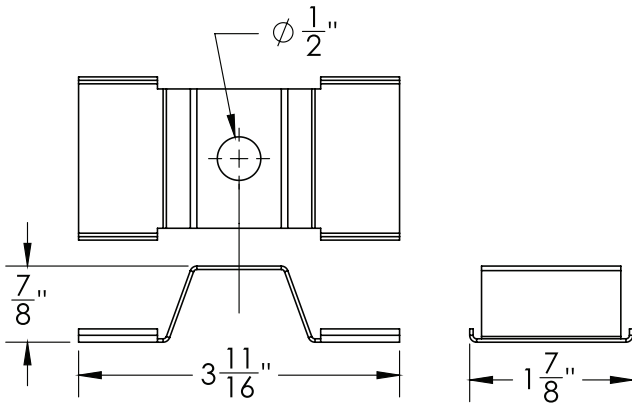
Manufactured in the USA by MonoSystems, Inc.



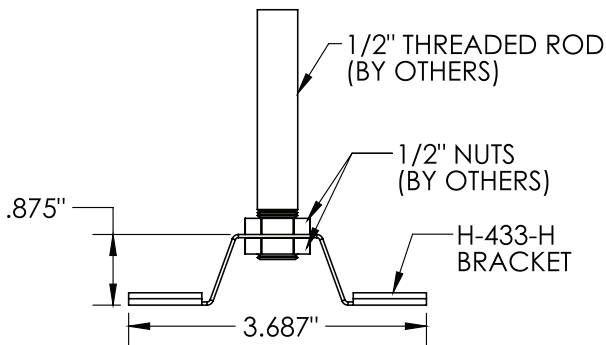
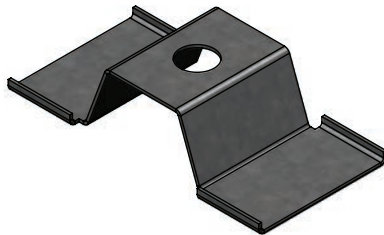
CENTER HANGER BRACKETS

Notes

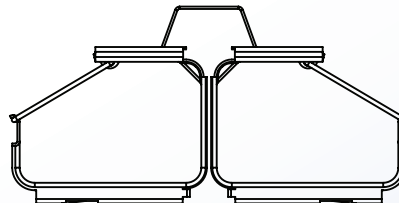
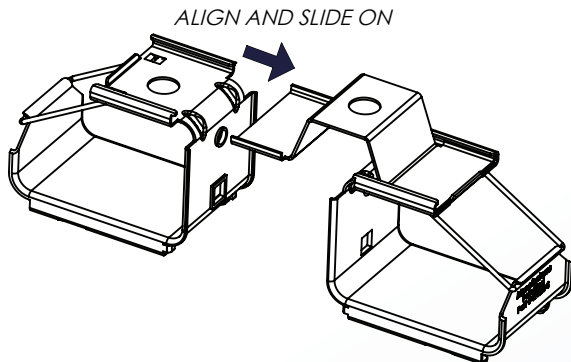
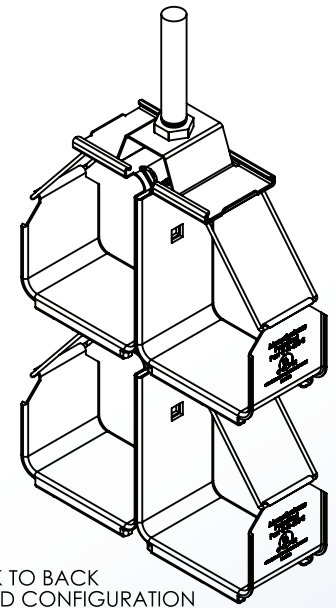
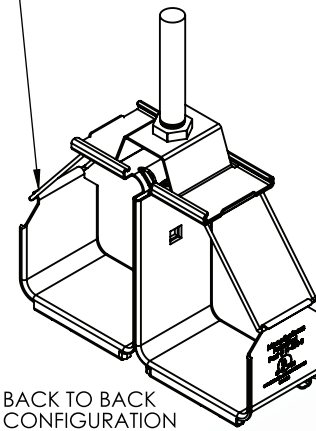
- 1.) Material: 20GA galvanized steel. For stainless steel use H-433-HSS part number.
- 2.) Secure from threaded rod or directly under a beam or other suitable mounting surface.
- 3.) Provides support for mounting of H-433-S and/or H-233-S 'Hook' in back to back configuration with no additional hardware required.
- 4.) Provides support for the 'Hook' for a number of different applications.
- 5.) Linkability remains fully viable in single or back to back configurations.
- 6.) Views for reference - do not scale.



UL LISTED
FILE: E465838



H-433-S OR H-233-S
(THE HOOK)
ORDERED SEPARATELY



4 International Drive
Rye Brook, NY 10573
Toll Free: 1 888.764.7681
Phone: 914.934.2075
Fax: 914.934.2190
MonoSystems.com

