

J-Hook / Steel H-233-S

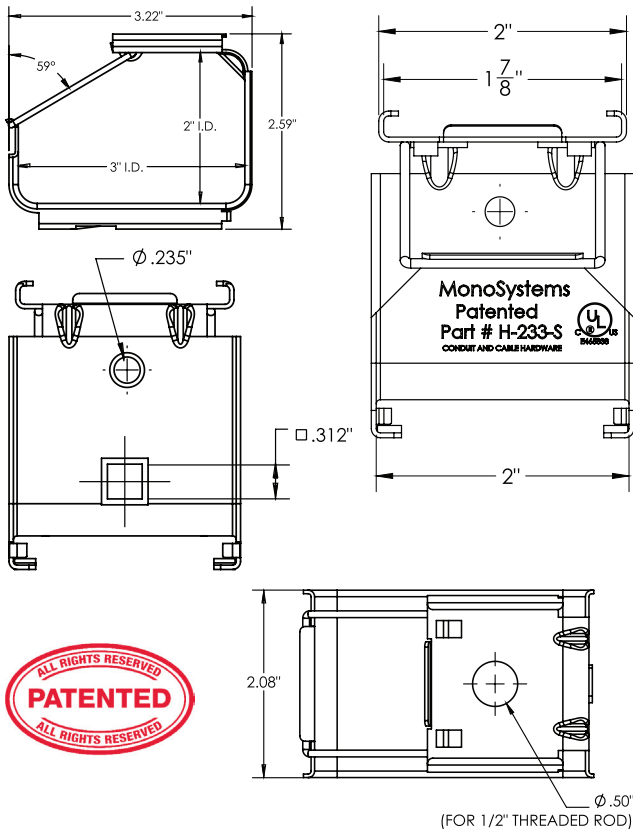
The Hook™

Manufactured by MonoSystems, Inc.

H-233-S / BASE

Notes:

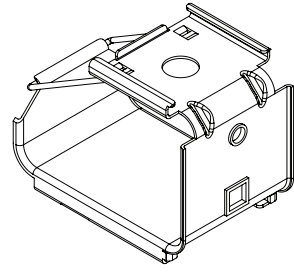
- 1.) May be linked top to bottom infinitely. Directly compatible and linkable with other H-233-S hooks and/or larger H-433-S hooks.
- 2.) Integrated wire retainer clip provides protection & security.
- 3.) Optimal support for high performance cable, up to and including CAT5e, CAT6, CAT 6A, CAT7 and fiber optic. Radiused edges prevent damage to contents.
- 4.) May be secured to walls, beams, threaded rod, trusses, cable trays, rack systems and other systems.
- 5.) A single H-233-S has a static load of 60 lbs. When adding additional hooks without additional points of support, the load for each hook should be divided by the number of hooks on the total tiering. For example (4) H-233-S hooks would have a max. load of 15 lbs each.
- 6.) UL listed and compliant with UL2043 and suitable for use in air handling (plenum) spaces.
- 7.) Tested in accordance with DIN 4102-12, UL2239, and CSA C22.2 No. 18.4
- 8.) Complies with EN 50174-2.
- 9.) Complies with ANSI/TIA-569-D.
- 10.) Meets ISO/IEC 14763-2, ANSI/TIA568 and ANSI/TIA 569.
- 11.) Unit weight: 0.2 lbs/ea. cross sectional area = 5.259 in 2.



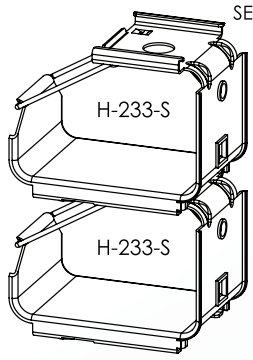
UL LISTED
FILE: E465838

PART NUMBER	MATERIAL
H-233-S	GALVANIZED STEEL

H-233 APPROX. WIRE CAPACITY		
CABLE TYPE	CABLE/WIRE SIZE	FILL
CAT 5e	0.210 (5.3)	75
CAT 6	0.250 (6.3)	50
CAT 6A	0.300 (7.6)	30
CAT 7	0.315 (8)	21

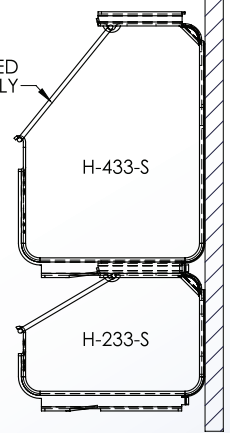


FOR MORE INFORMATION
ON THE HOOK, CONTACT
QUOTES@MONOSYSTEMS.COM

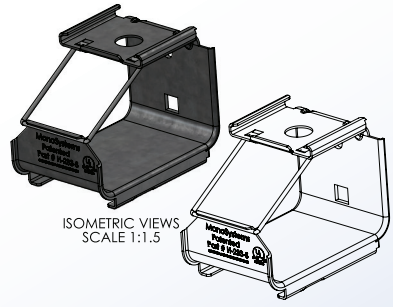


LINKED VIEW
SCALE 1:2

ORDERED
SEPARATELY



LINKED WALL MOUNT VIEW
SCALE 1:2



ISOMETRIC VIEWS
SCALE 1:1.5

4 International Drive
Rye Brook, NY 10573
Toll Free: 1 888.764.7681
Phone: 914.934.2075
Fax: 914.934.2190
MonoSystems.com

