

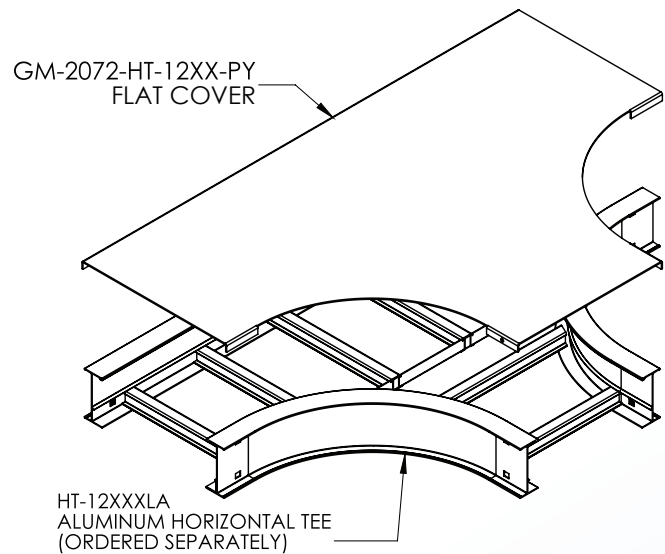
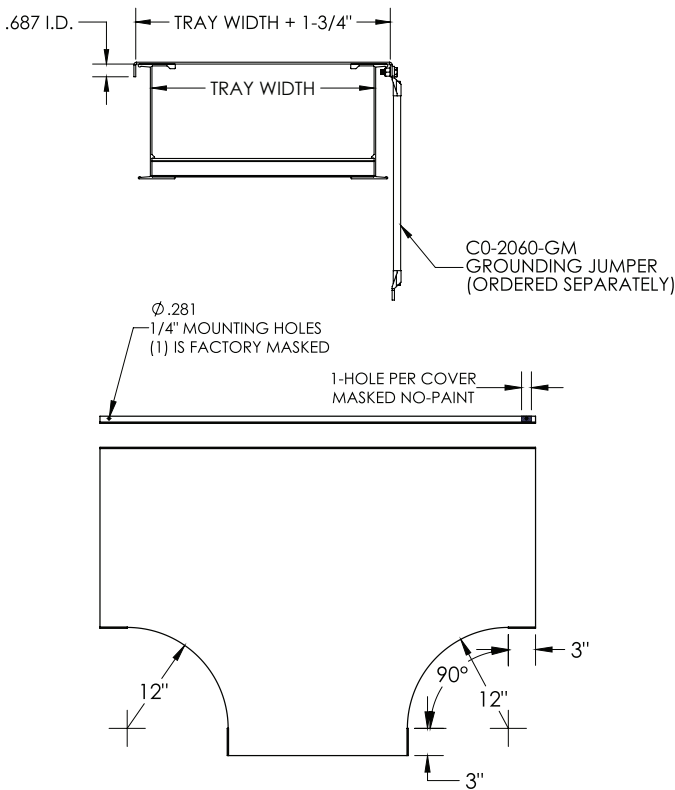
Cable Tray / Aluminum GM-2072-HT-12XX-PY

PowerTray™ Fittings
Manufactured by MonoSystems, Inc.

CUSTOM FLAT COVER FOR HORIZONTAL TEE 12" RADIUS, ALUMINUM TRAY

Notes:

- 1.) Cover material: 12GA steel
- 2.) Cover finish: GM safety yellow non-skid epoxy powder coat. Fitting ordered separately. Each cover contains 1/4" holes for mounting grounding jumpers one is factory masked, if needed remove paint around other holes as required in field.
- 3.) Views for reference - do not scale.



ORDERING DATA EXAMPLE:

GM-2072-HT-12XX-PY

MATERIAL	SERIES	COVER TYPE	RADIUS	TRAY WIDTH	FINISH
GM = CUSTOM GM SYLE COVER	2 = SERIES: B,C,D ALU. TRAY	072 = FLAT FITTING	12 = 12"	06 = 6" 09 = 9" 12 = 12" 18 = 18" 24 = 24" 30 = 30" 36 = 36"	PAINTED SAFETY YELLOW SEE NOTE 2

4 International Drive
Rye Brook, NY 10573
Toll Free: 1 888.764.7681
Phone: 914.934.2075
Fax: 914.934.2190
MonoSystems.com

