

# Cable Tray / Aluminum

## GM-2072-HC-12XX-PY

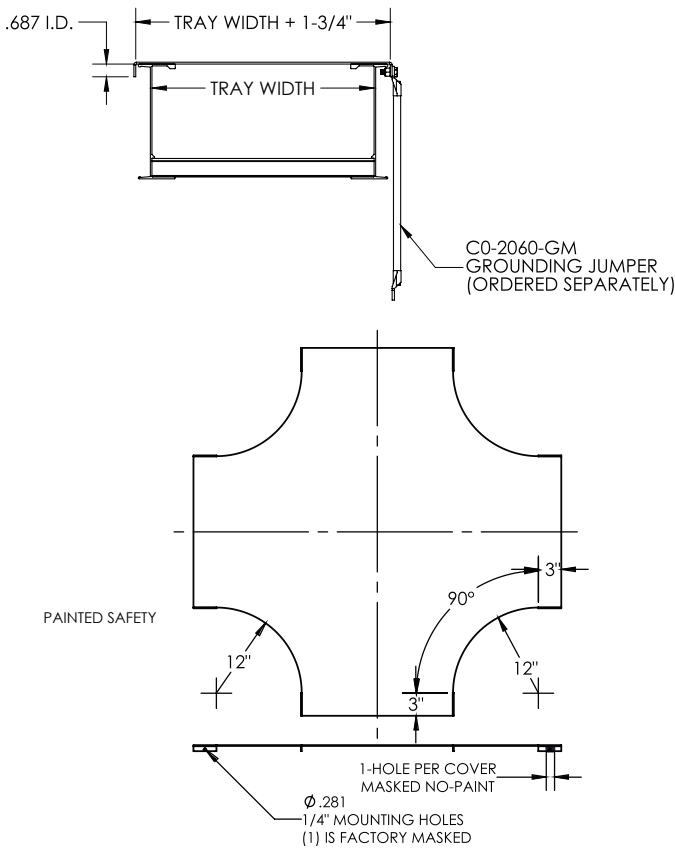
# PowerTray™ Fittings

Manufactured by MonoSystems, Inc.

## CUSTOM FLAT COVER FOR HORIZONTAL CROSS 12" RADIUS ALUMINUM TRAY

### Notes:

- 1.) Cover material: 12GA steel
- 2.) Cover finish: GM safety yellow non-skid epoxy powder coat. Fitting ordered separately. Each cover contains 1/4" holes (4) 1/4" holes for mounting grounding jumpers one is factory masked, if needed remove paint around other holes as required in field.
- 3.) Views for reference - do not scale.



### ORDERING DATA EXAMPLE:

# GM-2072-HC-12XX-PY

#### MATERIAL

GM = CUSTOM GM SYLE COVER

#### SERIES

2 = SERIES: B,C,D ALU. TRAY

#### RADIUS

12 = 12"

#### TRAY WIDTH

06 = 6"  
09 = 9"  
12 = 12"  
18 = 18"  
24 = 24"  
30 = 30"  
36 = 36"

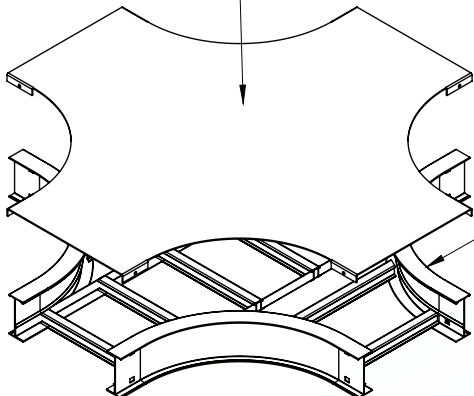
#### FINISH

PAINTED SAFETY YELLOW SEE NOTE 2

#### COVER TYPE

072 = FLAT FITTING

GM-2072-HC-12XX-PY  
FLAT COVER



HC-12XXXLA ALUMINUM HORIZONTAL CROSS (ORDERED SEPARATELY)

4 International Drive  
Rye Brook, NY 10573  
Toll Free: 1 888.764.7681  
Phone: 914.934.2075  
Fax: 914.934.2190  
MonoSystems.com

