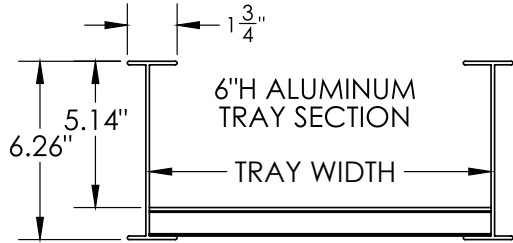


Cable Tray / Ladder Tray

FSOVXX-XXXXXA-RAD

PowerTray™ Fittings
 Manufactured by MonoSystems, Inc.



OUTSIDE VERTICAL RADIUS RISERS FIT-SPAN™ SYSTEM

Notes:

- 1.) Two pairs of Fit-Span splice connectors, and hardware are included with each fitting. (M.S.I P/N: A6-2014-PR). See page 3.
- 2.) See page 2 for additional notes and recommended fitting support locations.
- 3.) Views for reference - do not scale.



ORDERING DATA EXAMPLE:

FIT-SPAN OUTSIDE VERTICAL RADIUS RISER ELBOW, 90°, 12"R, 24"W, 6"H, LADDER, ALUMINUM

FS OV 90-12 24 6 L A-RAD

FS = FIT-SPAN SYSTEM SPECIAL 6" TANGENTS

FITTING TYPE
 OV = OUTSIDE VERTICAL BEND

ANGLE
 90 = 90°
 60 = 60°
 45 = 45°
 30 = 30°

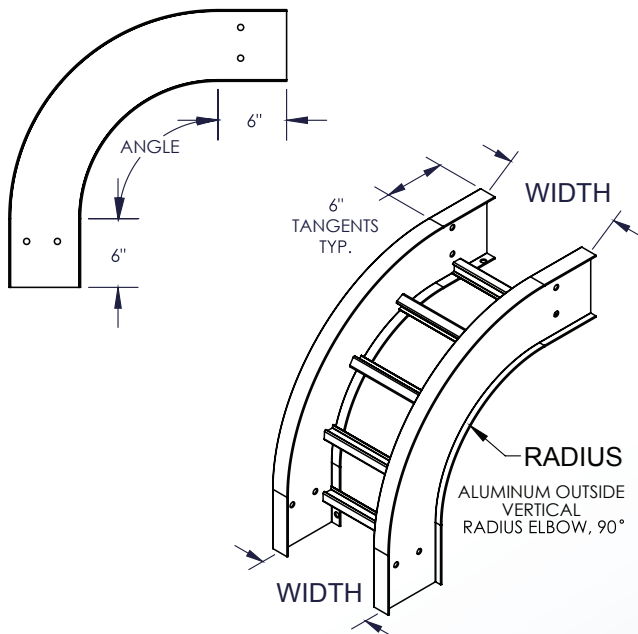
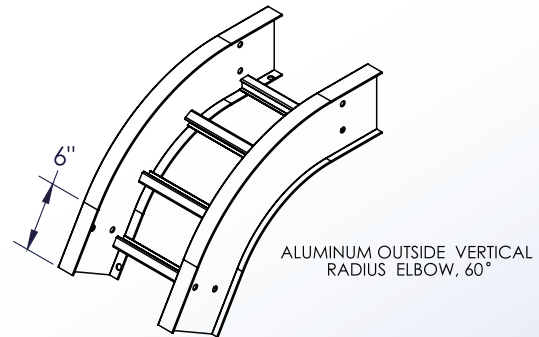
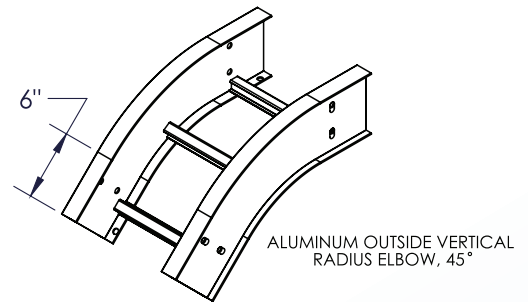
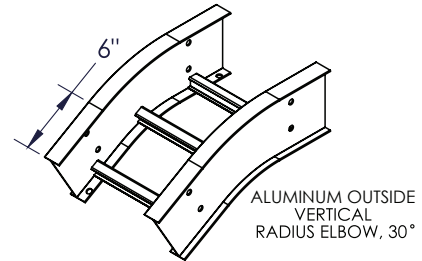
RADIUS
 12 = 12"
 24 = 24"
 36 = 36"

WIDTH
 06 = 6"
 09 = 9"
 12 = 12"
 18 = 18"
 24 = 24"
 30 = 30"
 36 = 36"
 42 = 42"

HEIGHT
 6 = 6"
 (5" DEPTH)

TRAY TYPE
 L = LADDER

TRAY MATERIAL
 A = ALUMINUM



4 International Drive
 Rye Brook, NY 10573
 Toll Free: 1 888.764.7681
 Phone: 914.934.2075
 Fax: 914.934.2190
 MonoSystems.com

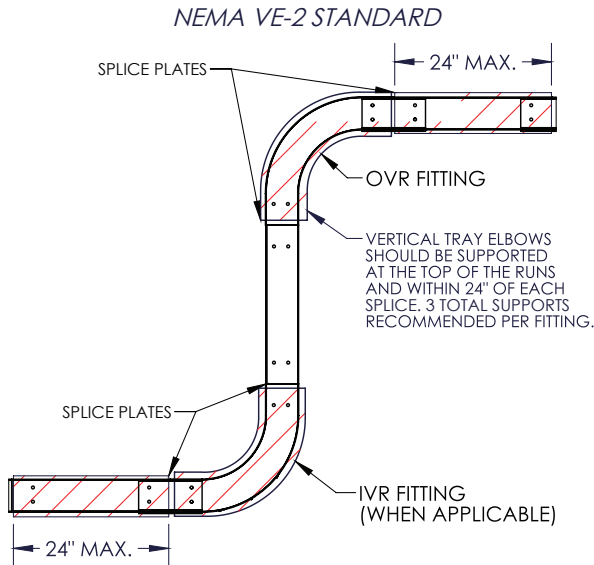


Cable Tray / Ladder Tray

FSOVXX-XXXXXA-RAD

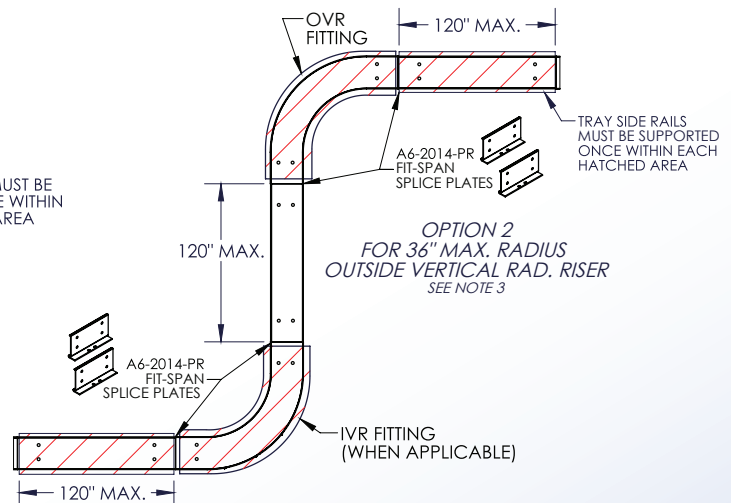
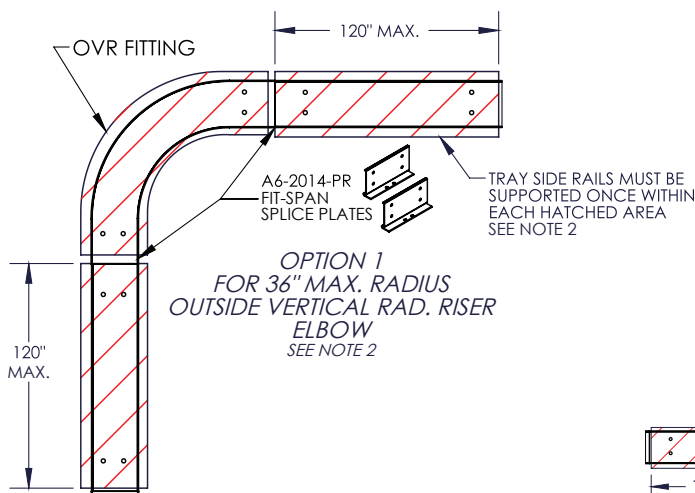
PowerTray™ Fittings
 Manufactured by MonoSystems, Inc.

OUTSIDE VERTICAL RADIUS RISERS FIT-SPAN™ SYSTEM 6" HIGH HEAVY ALUMINUM TRAY 6" TANGENT STYLE



Notes:

- 1.) Fit-Span system allows for a reduction in the number of structural steel supports required and/or flexibility in the placement and distance of the structural tray supports.
- 2.) For 36" max. radius: three total supports (one attached within 120" [3m] of each Fit-Span splice plates) recommended per fitting vs. three total supports within 24" [600mm] recommended for NEMA VE-2 standard (using standard tangents and splice plates).
- 3.) For 36" max. radius using OVR & IVR fittings with a vertical drop: four total supports (one attached within 120" [3m] of each Fit-Span splice plate) recommended per fitting vs. four total supports within 24" [600mm] recommended for NEMA VE-2 standard (using standard tangents and splice plates).
- 4.) Two pairs of Fit-Span splice connectors, and hardware are included with each fitting. (M.S.I P/N: A6-2014-PR).
- 5.) Views for reference - do not scale.



4 International Drive
 Rye Brook, NY 10573
 Toll Free: 1 888.764.7681
 Phone: 914.934.2075
 Fax: 914.934.2190
 MonoSystems.com

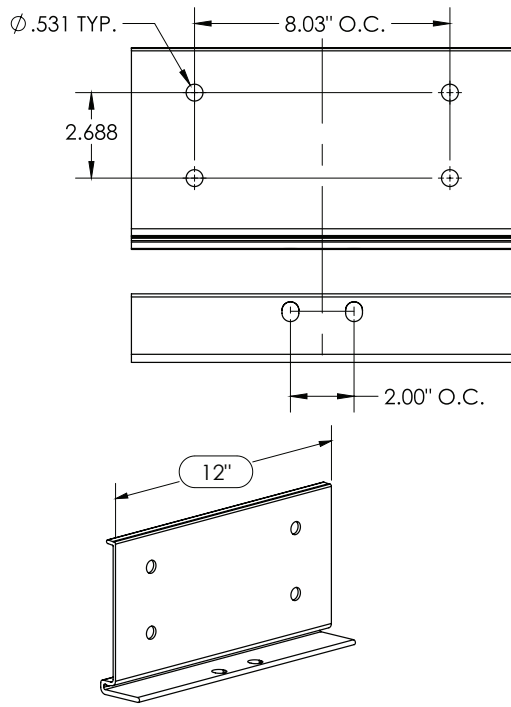


Cable Tray / Ladder Tray

FSOVXX-XXXXXA-RAD

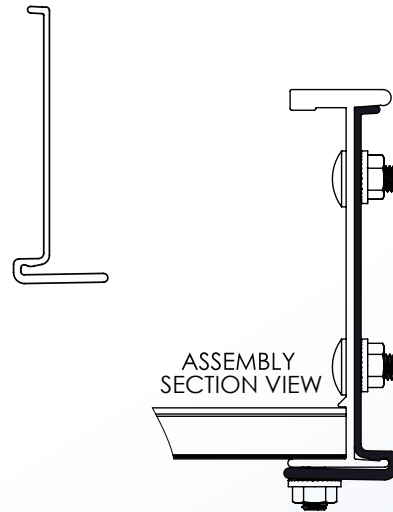
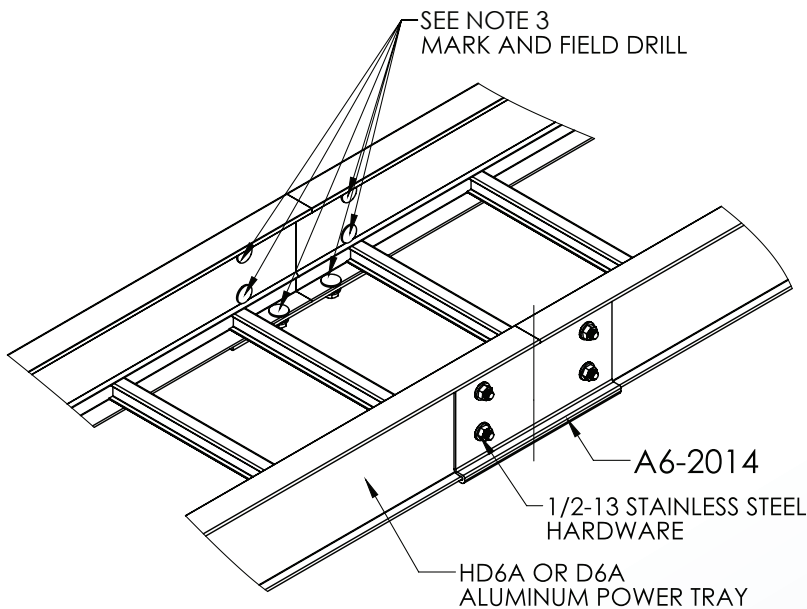
PowerTray™ Fittings
 Manufactured by MonoSystems, Inc.

12" L HEAVY DUTY SPLICE PLATES FIT-SPAN™ SYSTEM - A6-2014-PR



Notes:

- 1.) A6-2014-PR Fit-Span splice plates supplied as pairs. Includes 1/2" mounting hardware.
- 2.) For use as part of Fit-Span 6" tangent fitting systems.
- 3.) When connecting to straight tray sections - HD6A or D6A aluminum heavy tray: position A6-2014 Fit-Span splice plate in place (as a template) centered about the seam of the tray connection. Using a marker or punch, mark the (6X) hole locations on the tray. Remove the Fit-Span splice plate and field drill 1/2" holes at the marked locations. No field-drilling is required for Fit-Span fittings.
- 4.) Splice plate material: 6063-T6 aluminum, hardware material: 304 stainless steel.
- 5.) Available for use on ladder tray with 9" or 12" rung spacing only.
- 6.) Recommended torque: for 1/2" fasteners: 56 ft-lbs [75.9 N-m].
- 7.) Views for reference - do not scale.



4 International Drive
 Rye Brook, NY 10573
 Toll Free: 1 888.764.7681
 Phone: 914.934.2075
 Fax: 914.934.2190
 MonoSystems.com

