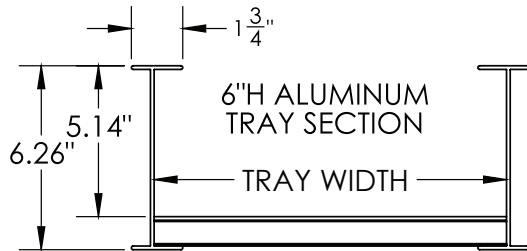


# Cable Tray / Ladder Tray

## FSIVXX-XXXXXA-RAD

**PowerTray™ Fittings**  
 Manufactured by MonoSystems, Inc.



### INSIDE VERTICAL RADIUS RISERS FIT-SPAN™ SYSTEM

**Notes:**

- 1.) Two pairs of Fit-Span splice connectors, and hardware are included with each fitting. (M.S.I P/N: A6-2014-PR). See page 3.
- 2.) See page 2 for additional notes and recommended fitting support locations.
- 3.) Views for reference - do not scale.



**ORDERING DATA EXAMPLE:**

FIT-SPAN INSIDE VERTICAL RADIUS RISER ELBOW, 90°, 12"R, 24"W, 6"H, LADDER, ALUMINUM

**FS IV 90-12 24 6 L A-RAD**

FS = FIT-SPAN SYSTEM SPECIAL 6" TANGENTS

FITTING TYPE  
 IV = INSIDE VERTICAL BEND

ANGLE  
 90 = 90°  
 60 = 60°  
 45 = 45°  
 30 = 30°

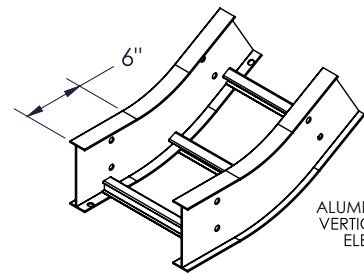
RADIUS  
 12 = 12"  
 24 = 24"  
 36 = 36"

WIDTH  
 06 = 6"  
 09 = 9"  
 12 = 12"  
 18 = 18"  
 24 = 24"  
 30 = 30"  
 36 = 36"  
 42 = 42"

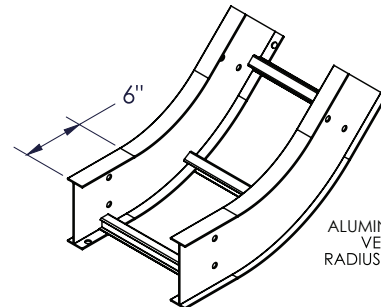
HEIGHT  
 6 = 6"  
 (5" DEPTH)

TRAY TYPE  
 L = LADDER

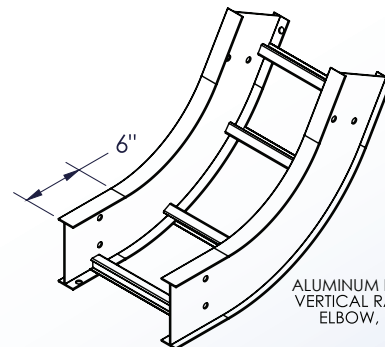
TRAY MATERIAL  
 A = ALUMINUM



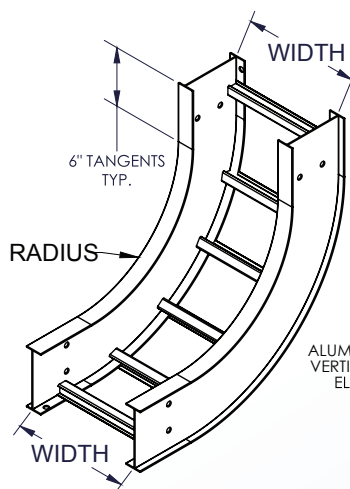
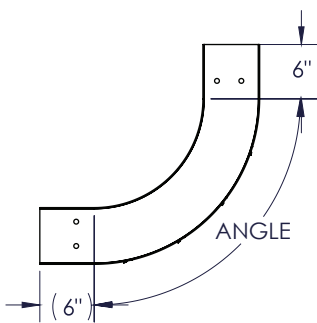
ALUMINUM INSIDE VERTICAL RADIUS ELBOW, 30°



ALUMINUM INSIDE VERTICAL RADIUS ELBOW, 45°



ALUMINUM INSIDE VERTICAL RADIUS ELBOW, 60°



ALUMINUM INSIDE VERTICAL RADIUS ELBOW, 90°

4 International Drive  
 Rye Brook, NY 10573  
 Toll Free: 1 888.764.7681  
 Phone: 914.934.2075  
 Fax: 914.934.2190  
 MonoSystems.com

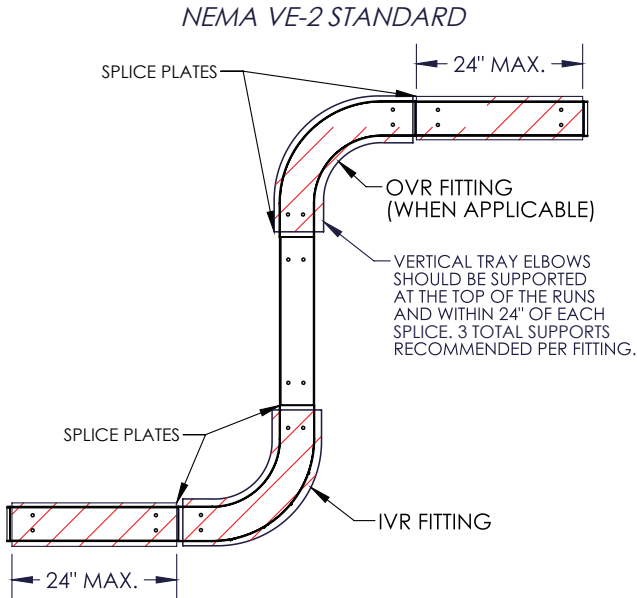


# Cable Tray / Ladder Tray

## FSIVXX-XXXXXA-RAD

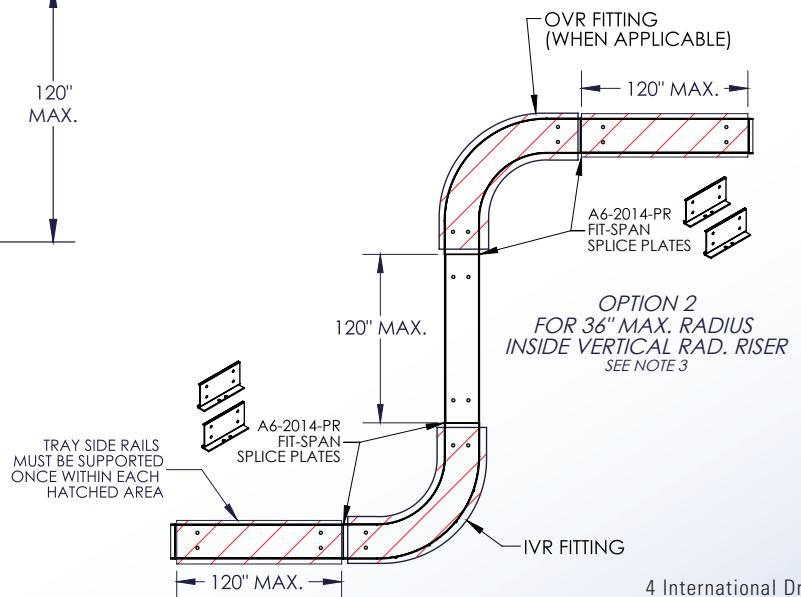
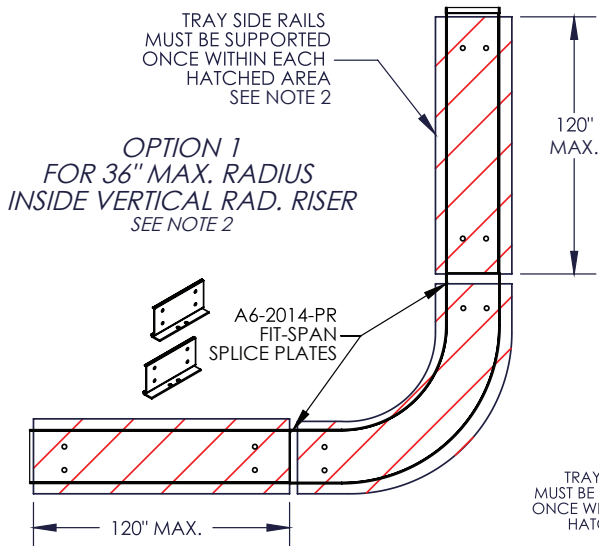
**PowerTray™ Fittings**  
 Manufactured by MonoSystems, Inc.

### INSIDE VERTICAL RADIUS RISERS FIT-SPAN™ SYSTEM 6" HIGH HEAVY ALUMINUM TRAY 6" TANGENT STYLE



#### Notes:

- 1.) Fit-Span system allows for a reduction in the number of structural steel supports required and/or flexibility in the placement and distance of the structural tray supports.
- 2.) For 36" max. radius: three total supports (one attached within 120" [3m] of each Fit-Span splice plates) recommended per fitting vs. three total supports within 24" [600mm] recommended for NEMA VE-2 standard (using standard tangents and splice plates).
- 3.) For 36" max. radius using OVR & IVR fittings with a vertical drop: four total supports (one attached within 120" [3m] of each Fit-Span splice plate) recommended per fitting vs. four total supports within 24" [600mm] recommended for NEMA VE-2 standard (using standard tangents and splice plates).
- 4.) Two pairs of Fit-Span splice connectors, and hardware are included with each fitting. (M.S.I P/N: A6-2014-PR).
- 5.) Views for reference - do not scale.



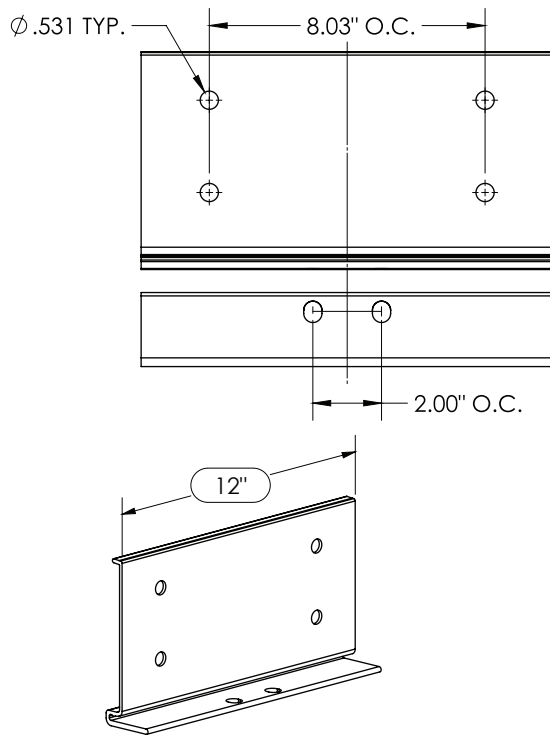
4 International Drive  
 Rye Brook, NY 10573  
 Toll Free: 1 888.764.7681  
 Phone: 914.934.2075  
 Fax: 914.934.2190  
 MonoSystems.com



# Cable Tray / Ladder Tray FSIVXX-XXXXXA-RAD

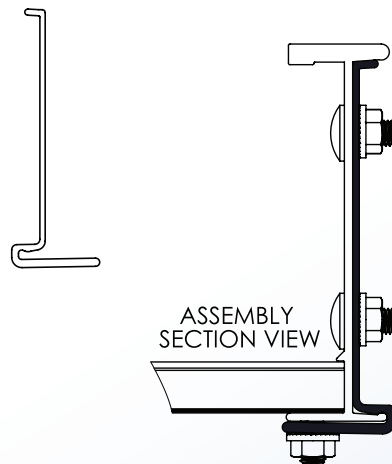
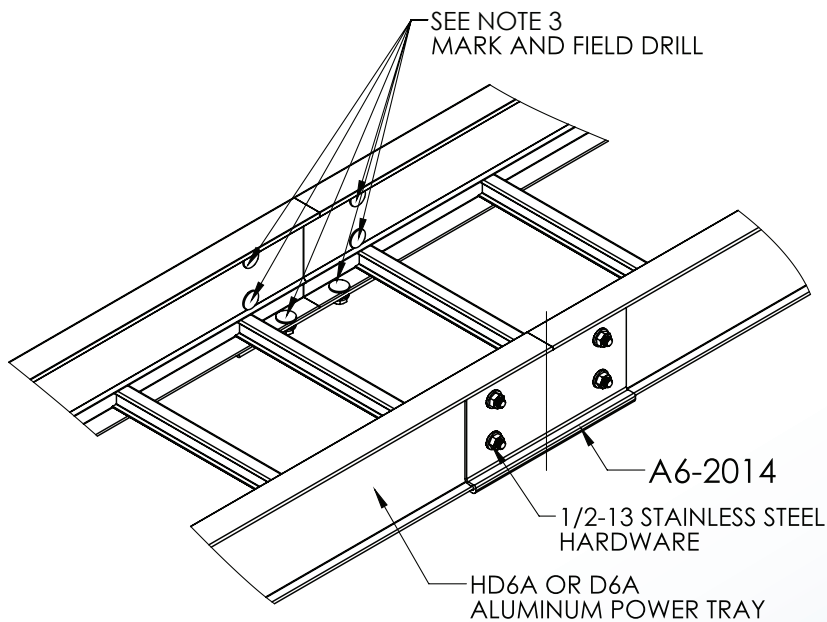
**PowerTray™ Fittings**  
Manufactured by MonoSystems, Inc.

## 12" L HEAVY DUTY SPLICE PLATES FIT-SPAN™ SYSTEM - A6-2014-PR



### Notes:

- 1.) A6-2014-PR Fit-Span splice plates supplied as pairs. Includes 1/2" mounting hardware.
- 2.) For use as part of Fit-Span 6" tangent fitting systems.
- 3.) When connecting to straight tray sections - HD6A or D6A aluminum heavy tray: position A6-2014 Fit-Span splice plate in place (as a template) centered about the seam of the tray connection. Using a marker or punch, mark the (6X) hole locations on the tray. Remove the Fit-Span splice plate and field drill 1/2" holes at the marked locations. No field-drilling is required for Fit-Span fittings.
- 4.) Splice plate material: 6063-T6 aluminum, hardware material: 304 stainless steel.
- 5.) Available for use on ladder tray with 9" or 12" rung spacing only.
- 6.) Recommended torque: for 1/2" fasteners: 56 ft-lbs [75.9 N-m].
- 7.) Views for reference - do not scale.



4 International Drive  
Rye Brook, NY 10573  
Toll Free: 1 888.764.7681  
Phone: 914.934.2075  
Fax: 914.934.2190  
MonoSystems.com

