

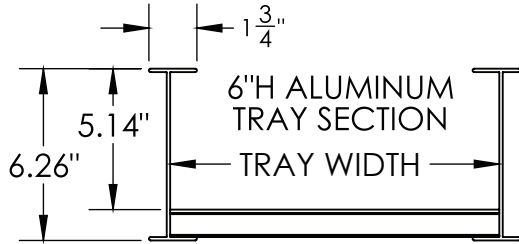
Cable Tray / Ladder Tray

FSHC-XXXX6LA

PowerTray™ Fittings

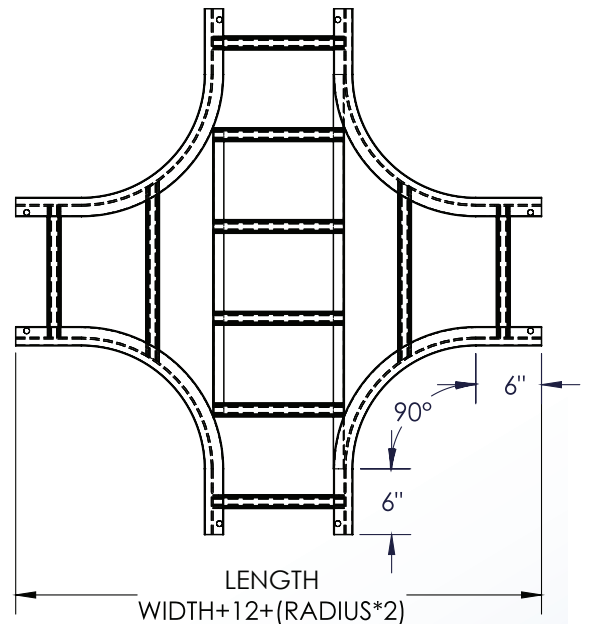
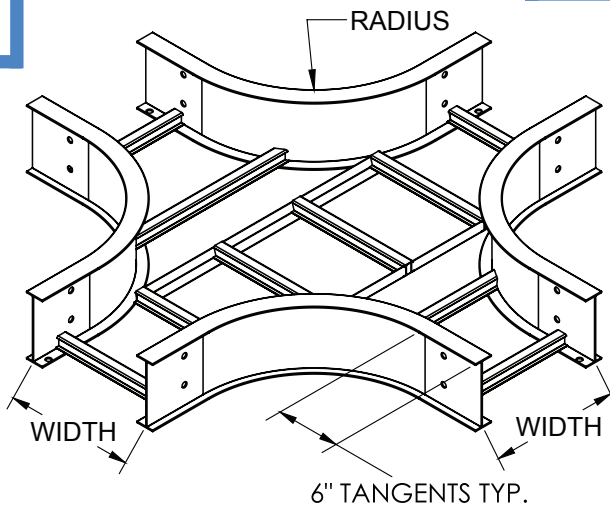
Manufactured by MonoSystems, Inc.

HORIZONTAL CROSS FIT-SPAN™ SYSTEM



Notes:

- 1.) Four pairs of Fit-Span splice connectors, and hardware are included with each fitting. (M.S.I P/N: A6-2014-PR). See page 3.
- 2.) See page 2 for additional notes and recommended fitting support locations.
- 3.) Views for reference - do not scale.



ORDERING DATA EXAMPLE:

FIT-SPAN HORIZONTAL CROSS, 12"R, 24"W, 6"H, LADDER, ALUMINUM

FS HC - 12 24 6 L A

FS = FIT-SPAN SYSTEM SPECIAL 6" TANGENTS

FITTING TYPE
HE = HORIZONTAL CROSS

RADIUS
12 = 12"
24 = 24"
36 = 36"

WIDTH
06 = 6"
09 = 9"
12 = 12"
18 = 18"
24 = 24"
30 = 30"

HEIGHT
6 = 6"
(5" DEPTH)

TRAY TYPE
L = LADDER

TRAY MATERIAL
A = ALUMINUM

4 International Drive
Rye Brook, NY 10573
Toll Free: 1 888.764.7681
Phone: 914.934.2075
Fax: 914.934.2190
MonoSystems.com



Cable Tray / Ladder Tray FSHC-XXXX6LA

PowerTray™ Fittings

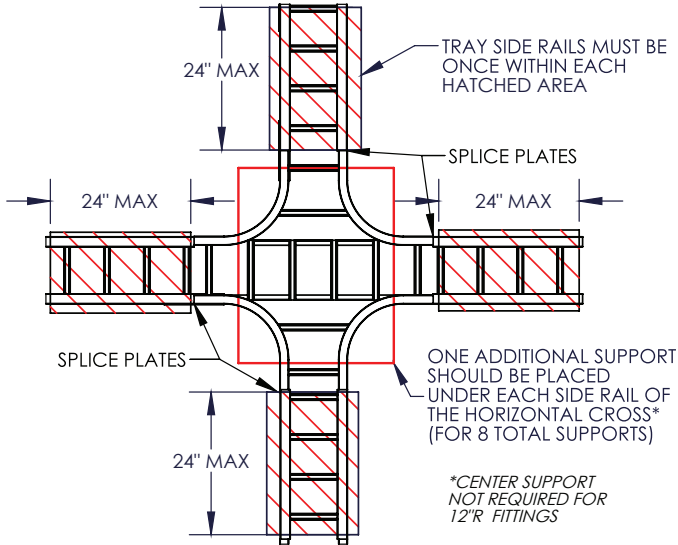
Manufactured by MonoSystems, Inc.

HORIZONTAL CROSS FIT-SPAN™ SYSTEM 6" HIGH HEAVY ALUMINUM TRAY 6" TANGENT STYLE

Notes:

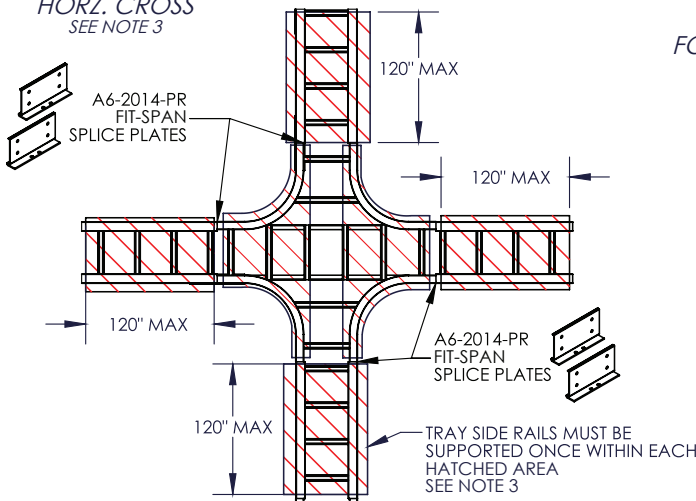
- 1.) Fit-Span system allows for a reduction in the number of structural steel supports required and/or flexibility in the placement and distance of the structural tray supports.
- 2.) For 12" and 24" radius fittings: four total supports (attached within 24" [600mm] of Fit-Span system splice plate) recommended per fitting vs. (8) total supports recommended for NEMA VE-2 standard (using standard tangents and splice plates).
- 3.) For 36" radius fittings: six total supports (fitting supported twice within defined area) and a second support attached within 120" [3m] of each Fit-Span splice recommended vs. (8) total supports recommended for NEMA VE-2 standard (using standard tangents and splice plates).
- 4.) Four pairs of Fit-Span splice connectors, and hardware are included with each fitting (M.S.I P/N: A6-2014-PR).
- 5.) Views for reference - do not scale.

NEMA VE-2 STANDARD

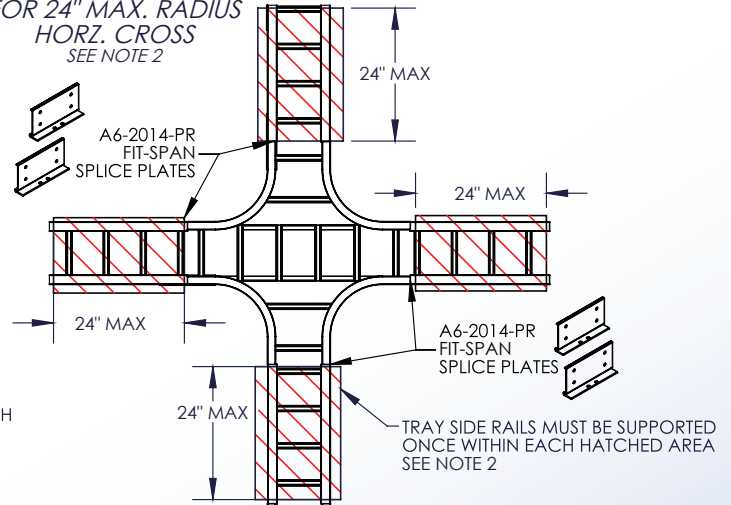


*CENTER SUPPORT NOT REQUIRED FOR 12"R FITTINGS

OPTION 1 FOR 36" MAX. RADIUS HORZ. CROSS SEE NOTE 3



OPTION 2 FOR 24" MAX. RADIUS HORZ. CROSS SEE NOTE 2



4 International Drive
Rye Brook, NY 10573
Toll Free: 1 888.764.7681
Phone: 914.934.2075
Fax: 914.934.2190
MonoSystems.com

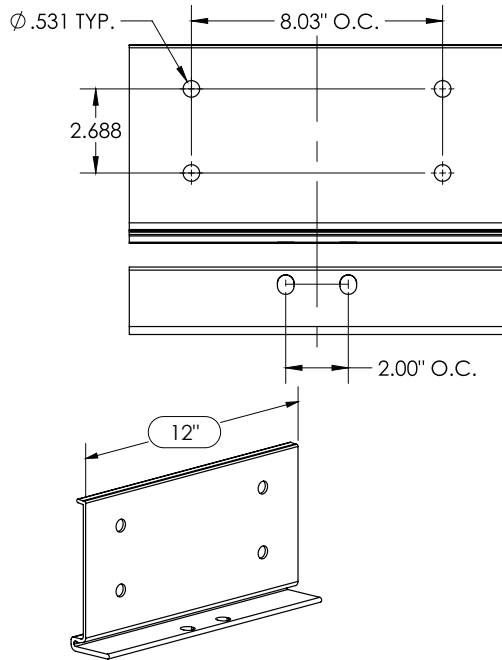


Cable Tray / Ladder Tray FSHC-XXXX6LA

PowerTray™ Fittings

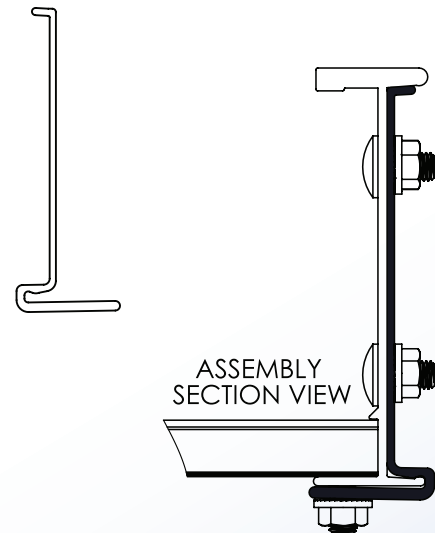
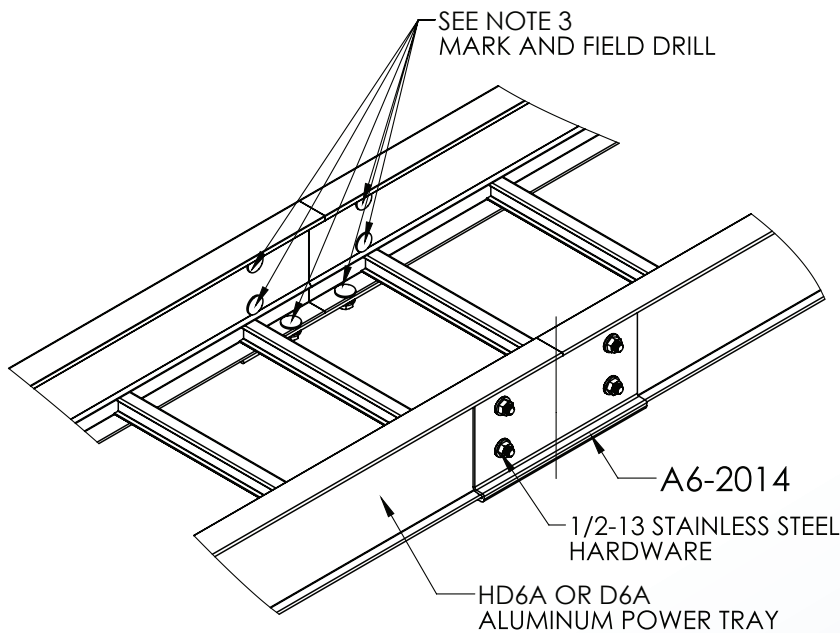
Manufactured by MonoSystems, Inc.

12" L HEAVY DUTY SPLICE PLATES FIT-SPAN™ SYSTEM - A6-2014-PR



Notes:

- 1.) A6-2014-PR Fit-Span splice plates supplied as pairs. Includes 1/2" mounting hardware.
- 2.) For use as part of Fit-Span 6" tangent fitting systems.
- 3.) When connecting to straight tray sections - HD6A or D6A aluminum heavy tray: position A6-2014 Fit-Span splice plate in place (as a template) centered about the seam of the tray connection. Using a marker or punch, mark the (6X) hole locations on the tray. Remove the Fit-Span splice plate and field drill 1/2" holes at the marked locations. No field-drilling is required for Fit-Span fittings.
- 4.) Splice plate material: 6063-T6 aluminum, hardware material: 304 stainless steel.
- 5.) Available for use on ladder tray with 9" or 12" rung spacing only.
- 6.) Recommended torque: for 1/2" fasteners: 56 ft-lbs [75.9 N-m].
- 7.) Views for reference - do not scale.



4 International Drive
Rye Brook, NY 10573
Toll Free: 1 888.764.7681
Phone: 914.934.2075
Fax: 914.934.2190
MonoSystems.com

