

Cable Tray / Ladder / Aluminum E7A SERIES

NEMA Load Class: 20C +
CSA Load Class: 152 kg/m 9.1m
PowerTray™
Manufactured by MonoSystems, Inc.

E7A/STRAIGHT SECTION

General Information

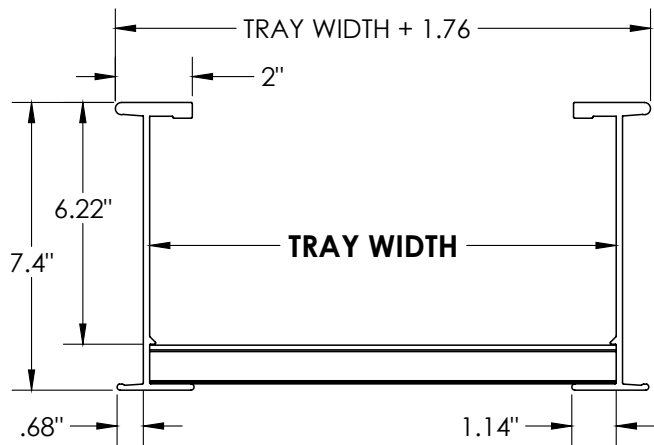
TRAY DESIGN: Construction and markings are per the latest edition of NEMA Standards Pub. VE1, CSA C22.2 No. 126.

TRAY GROUNDING CAPABILITY: Classified as an equipment grounding conductor per N.E.C. 392.7 with a maximum 2000 ampere rating. UL Cross Sectional area: 2.00 in²

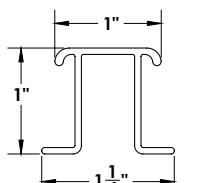
CONNECTORS: Supplied in pairs with hardware. Splice resistance is less than 0.00033 ohms. Standard hardware: 1/2 in. cadmium-plated with clear zinc topcoat. Stainless steel hardware is available upon request.

MonoSystems trays marked with CSA load class have been tested (loading, finish and electrical) by UL to CSA standard 126 22.2

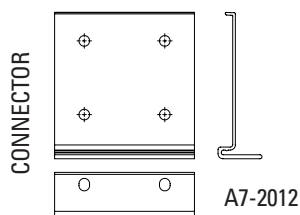
Material: Aluminum 6063-T6 Alloy



SIDERAIL: 7.40"
LOAD DEPTH: 6.23"



RUNG SECTION VIEW



LOAD CHART*	POWER-TRAY RAIL DATA		RAIL TYPE: E7A					
	SPAN (ft)		20	22	24	26	28	30
	MAX LOAD (lbs/ft)		232	292	161	136	117	102
DEFLECTION MULTIPLIER		0.011	0.016	0.023	0.031	0.042	0.055	

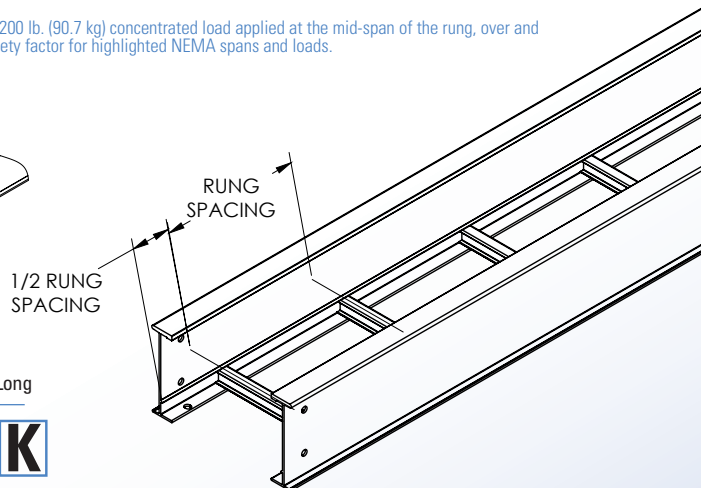
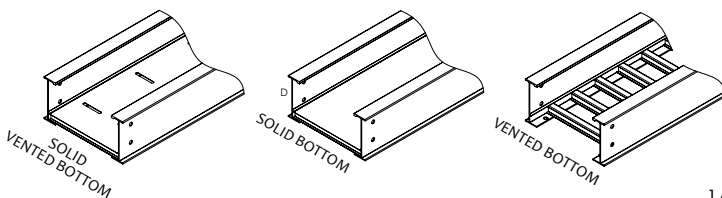


Classified by UL as equipment grounding conductors per NEC 392.7.

* Values are based on simple beam tests per NEMA VE 1 on 36" wide cable tray with rungs spaced on 12" centers. Cable trays will support, without collapse, a 200 lb. (90.7 kg) concentrated load over and above published loads. Published load safety factor is 1.5.

To convert 1.5 safety factor to 2.0, multiply the published load by 0.75. To obtain mid-span deflection, multiply a load by the deflection multiplier. Cable tray must be supported on spans shorter than or equal to the length of the cable tray being installed.

Individual rungs will support without collapse a 200 lb. (90.7 kg) concentrated load applied at the mid-span of the rung, over and above the NEMA rated cable load with a 1.5 safety factor for highlighted NEMA spans and loads.



ORDERING DATA EXAMPLE:

Power-Tray, 7.40" High Ladder, Aluminum, 12" Rung Spacing, 24" Wide, 30' Long

E7A 12 - 24 - 360 - FP - K

RAIL SERIES	RUNG SPACING	TRAY WIDTH	TRAY WIDTH	PLATE
E7A = 7.40" 6063 -T6 ALUMINUM	09 = 9" 12 = 12"	12 = 12" WIDE 18 = 18" WIDE 24 = 24" WIDE 30 = 30" WIDE 36 = 36" WIDE	300 = 25FT. 360 = 30FT.	NONE = REGULAR PLATE FP = FLAT PLATE
	04 = VENTED BOTTOM SB = SOLID BOTTOM SBV = SOLID VENTED BOTTOM			

4 International Drive
Rye Brook, NY 10573
Toll Free: 1 888.764.7681
Phone: 914.934.2075
Fax: 914.934.2190
MonoSystems.com

