

# Cable Tray / Ladder Tray DP-2072-XR-XXXX-PX

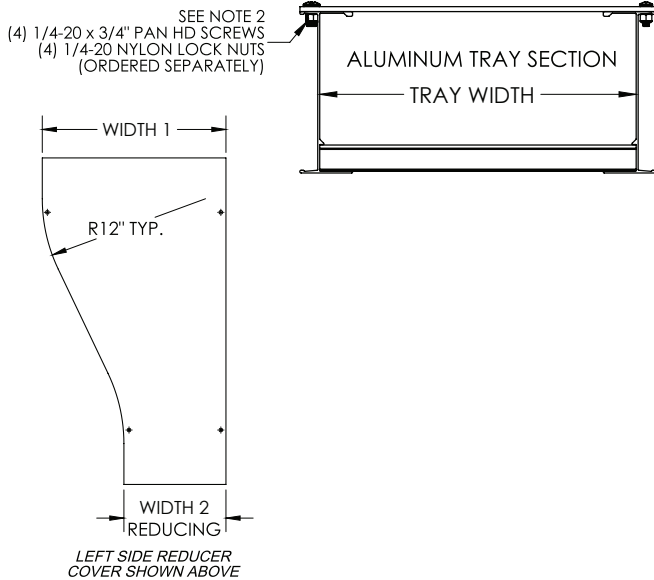
## PowerTray™ Fittings

Manufactured by MonoSystems, Inc.

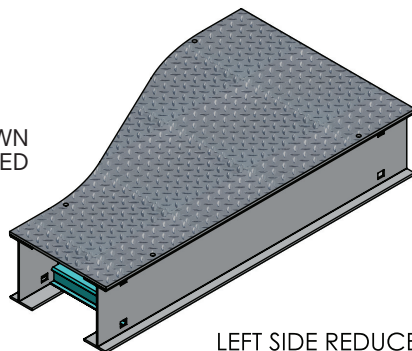
### STRAIGHT REDUCER COVER, DIAMOND PLATE

#### Notes:

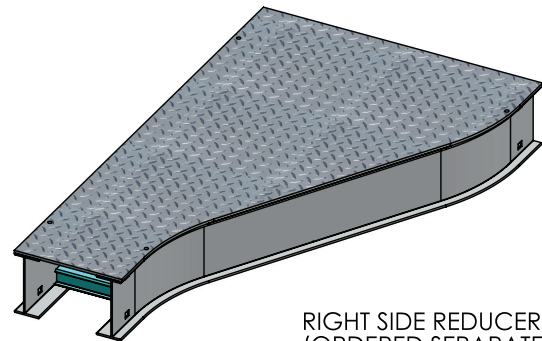
- 1.) Material: 6" wide, 9" wide, 12" wide or 18" wide: 1/8" thick aluminum diamond plate. Material: 24" wide: 3/16" thick aluminum diamond plate.
- 2.) All mounting hardware (by others). MonoSystems recommends fastening cover to power tray fitting using 1/4" hardware. Feed screws thru hole in cover, mark and drill thru top siderail flange of tray and attach on other side with 1/4-20 nylon lock nut. Or install self tapping screws through holes in cover into tray. Be sure to completely align cover to tray before drilling and installing.
- 3.) Views for reference - do not scale.



COVER SHOWN  
ATTACHED



LEFT SIDE REDUCER  
(ORDERED SEPARATELY)



RIGHT SIDE REDUCER  
(ORDERED SEPARATELY)

#### ORDERING DATA EXAMPLE:

**DP-2072-XR-XX-XX-PX**

#### MATERIAL

ALUMINUM  
DIAMOND  
PLATE

#### FITTING TYPE

SERIES: B, C, D & E  
HEAVY ALUMINUM  
TRAY FITTING COVER

LR = LEFT SIDE  
REDUCER  
RR = RIGHT SIDE  
REDUCER

#### WIDTH 1

09 = 9"  
12 = 12"  
18 = 18"  
24 = 24"

#### WIDTH 2

06 = 6"  
09 = 9"  
12 = 12"  
18 = 18"

#### COLOR

LEAVE BLANK = NON PAINTED  
PY = PAINTED YELLOW  
PNSY = PAINTED NON-SKID  
SAFETY YELLOW

4 International Drive  
Rye Brook, NY 10573  
Toll Free: 1 888.764.7681  
Phone: 914.934.2075  
Fax: 914.934.2190  
MonoSystems.com

