

Cable Tray / Ladder Tray DP-2072-SR-XXXX-PX

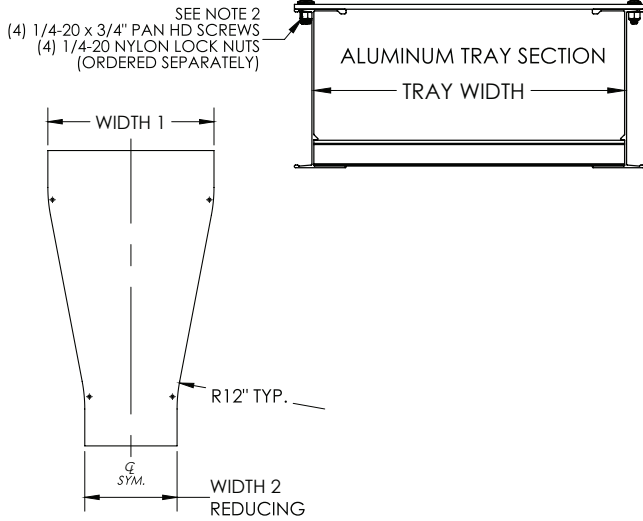
PowerTray™ Fittings

Manufactured by MonoSystems, Inc.

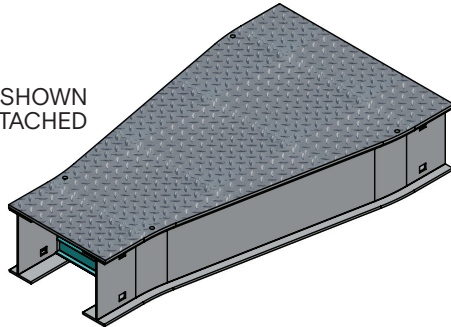
STRAIGHT REDUCER COVER, DIAMOND PLATE

Notes:

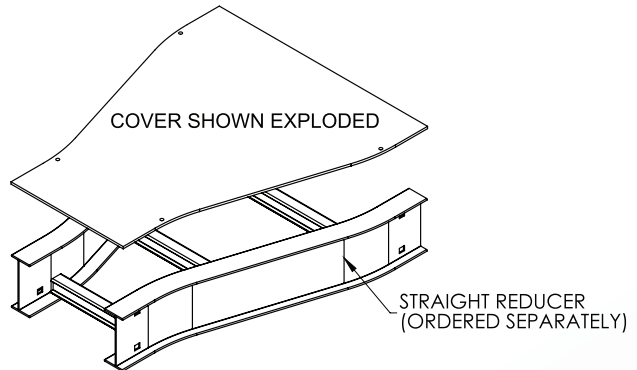
- 1.) Material: 6" wide, 9" wide, 12" wide or 18" wide: 1/8" thick aluminum diamond plate. Material: 24" wide: 3/16" thick aluminum diamond plate.
- 2.) All mounting hardware (by others). MonoSystems recommends fastening cover to power tray fitting using 1/4" hardware. Feed screws thru hole in cover, mark and drill thru top siderail flange of tray and attach on other side with 1/4-20 nylon lock nut. Or install self tapping screws through holes in cover into tray. Be sure to completely align cover to tray before drilling and installing.
- 3.) Views for reference - do not scale.



COVER SHOWN ATTACHED



COVER SHOWN EXPLODED



ORDERING DATA EXAMPLE:

DP - 2072 - SR - XX - XX - PX

MATERIAL

ALUMINUM
DIAMOND
PLATE

FITTING TYPE

SERIES: B, C, D & E
HEAVY ALUMINUM
TRAY FITTING COVER

SR = STRAIGHT
REDUCER

WIDTH 1

09 = 9"
12 = 12"
18 = 18"
24 = 24"

WIDTH 2

06 = 6"
09 = 9"
12 = 12"
18 = 18"

COLOR

LEAVE BLANK = NON PAINTED
PY = PAINTED YELLOW
PNSY = PAINTED NON-SKID
SAFETY YELLOW

4 International Drive
Rye Brook, NY 10573
Toll Free: 1 888.764.7681
Phone: 914.934.2075
Fax: 914.934.2190
MonoSystems.com

