

Cable Tray / Ladder Tray

DP-2072-EHT-XXXX-XX-PX

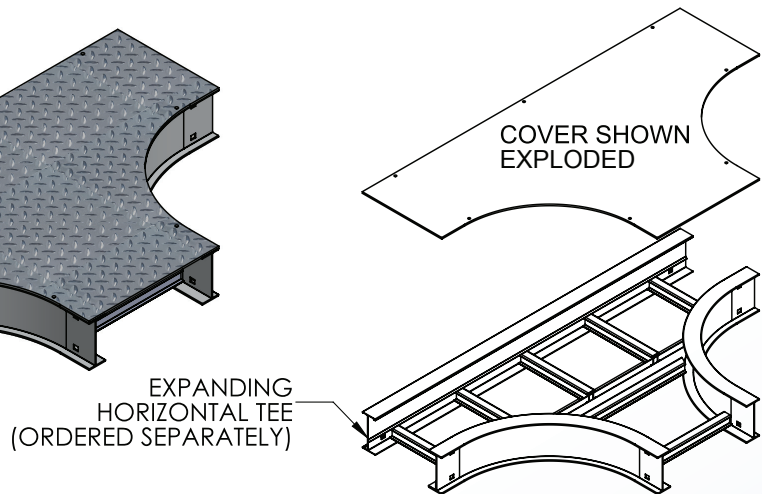
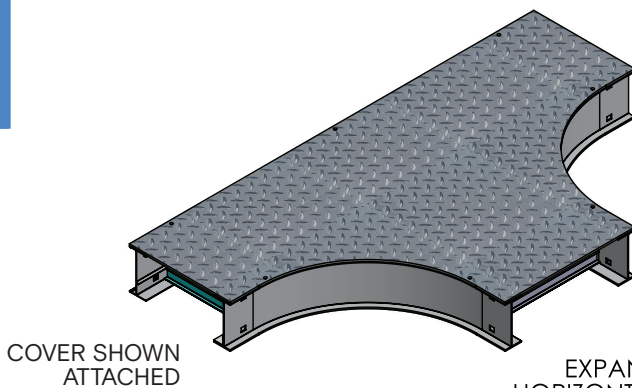
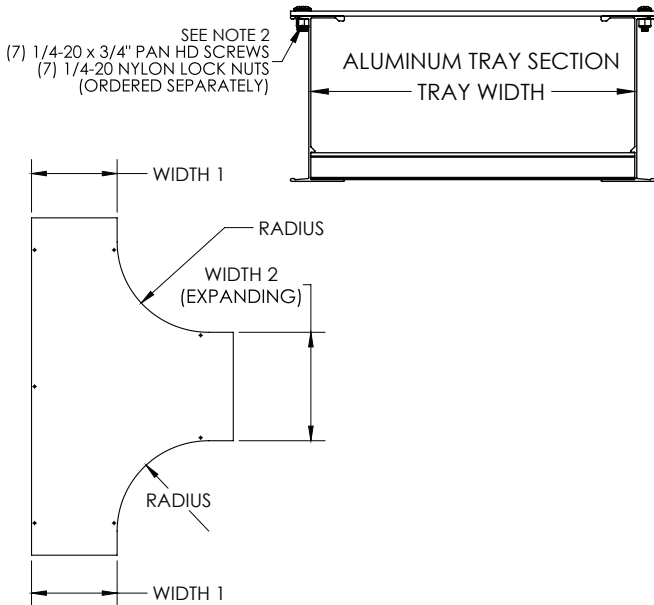
PowerTray™ Fittings

Manufactured by MonoSystems, Inc.

EXPANDING HORIZONTAL TEE COVER, DIAMOND PLATE

Notes:

- 1.) Material: 6" wide, 9" wide, 12" wide or 18" wide: 1/8" thick aluminum diamond plate. Material: 24" wide: 3/16" thick aluminum diamond plate.
- 2.) All mounting hardware (by others). MonoSystems recommends fastening cover to power tray fitting using 1/4" hardware. Feed screws thru hole in cover, mark and drill thru top siderail flange of tray and attach on other side with 1/4-20 nylon lock nut. Or install self tapping screws through holes in cover into tray. Be sure to completely align cover to tray before drilling and installing.
- 3.) Views for reference - do not scale.



ORDERING DATA EXAMPLE:

DP-2072-EHT-XX-XX-XX-PX

MATERIAL	FITTING TYPE	EHT = EXPANDING HORIZONTAL TEE	RADIUS	WIDTH 1	WIDTH 2	COLOR
ALUMINUM DIAMOND PLATE	HEAVY ALUMINUM TRAY FITTING COVER		12 = 12" 24 = 24"	06 = 6" 09 = 9" 12 = 12" 18 = 18"	09 = 9" 12 = 12" 18 = 18" 24 = 24"	LEAVE BLANK = NON PAINTED PY = PAINTED YELLOW PNSY = PAINTED NON-SKID SAFETY YELLOW

4 International Drive
Rye Brook, NY 10573
Toll Free: 1 888.764.7681
Phone: 914.934.2075
Fax: 914.934.2190
MonoSystems.com

