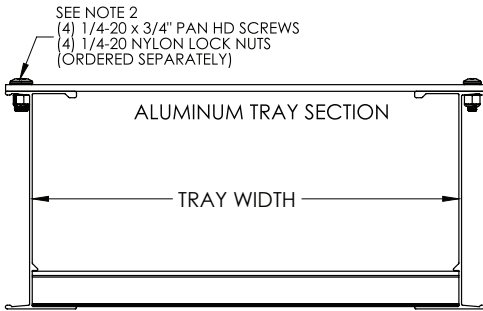


Cable Tray / Ladder Tray DP-2052-XX-PX

PowerTray™ Fittings

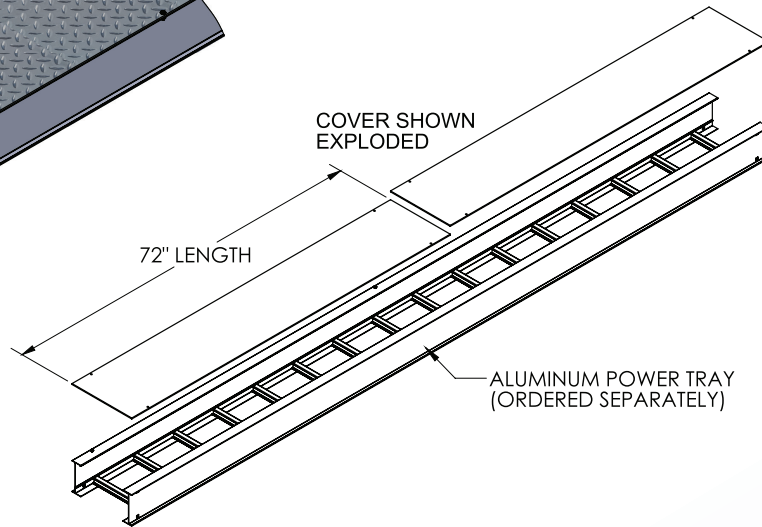
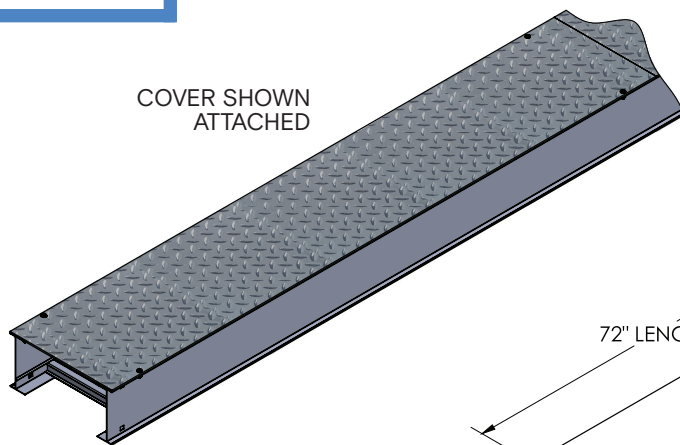
Manufactured by MonoSystems, Inc.

STRAIGHT COVER, DIAMOND PLATE



Notes:

- 1.) Material: 6" wide, 9" wide, 12" wide or 18" wide: 1/8" thick aluminum diamond plate. Material: 24" wide: 3/16" thick aluminum diamond plate.
- 2.) All mounting hardware (by others). MonoSystems recommends fastening cover to power tray fitting using 1/4" hardware. Feed screws thru hole in cover, mark and drill thru top siderail flange of tray and attach on other side with 1/4-20 nylon lock nut. Or install self tapping screws through holes in cover into tray. Be sure to completely align cover to tray before drilling and installing.
- 3.) Views for reference - do not scale.



ORDERING DATA EXAMPLE:

DP-2052-XX-XX-PX

MATERIAL	TRAY TYPE	WIDTH	LENGTH	COLOR
ALUMINUM DIAMOND PLATE	SERIES: B, C, D & E ALUMINUM TRAY STRAIGHT COVER	06 = 6" 09 = 9" 12 = 12" 18 = 18" 24 = 24"	60 = (1) 5FT COVER 72 = (1) 6FT COVER	LEAVE BLANK = NON PAINTED PY = PAINTED YELLOW PNSY = PAINTED NON-SKID SAFETY YELLOW

4 International Drive
Rye Brook, NY 10573
Toll Free: 1 888.764.7681
Phone: 914.934.2075
Fax: 914.934.2190
MonoSystems.com

