

Cable Tray / Ladder Tray

DIV-CLIP-6

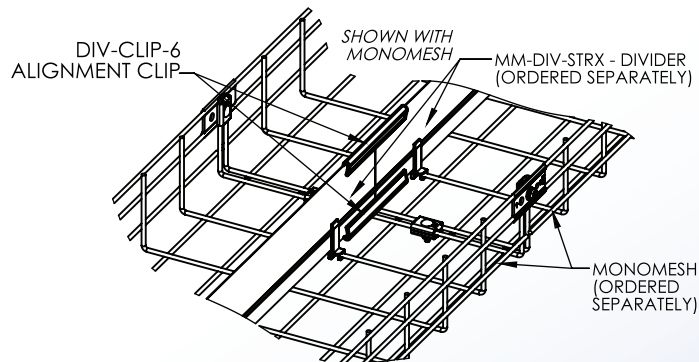
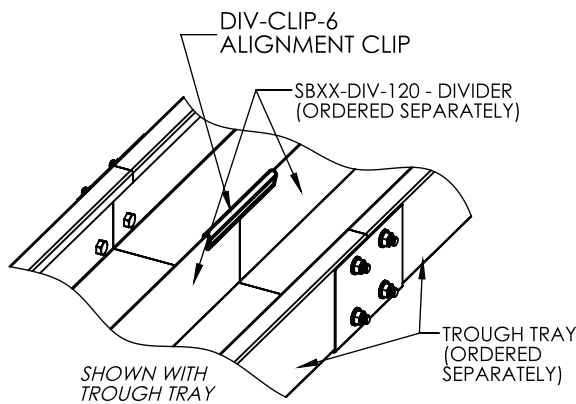
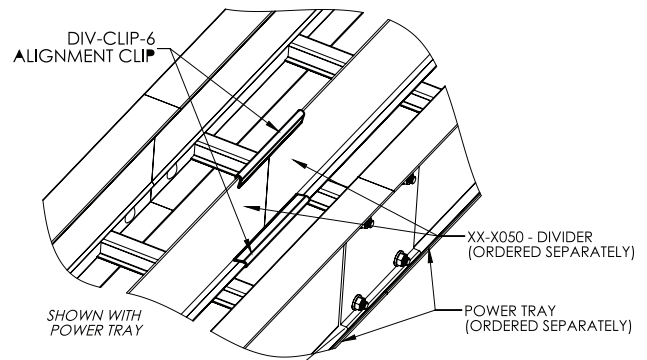
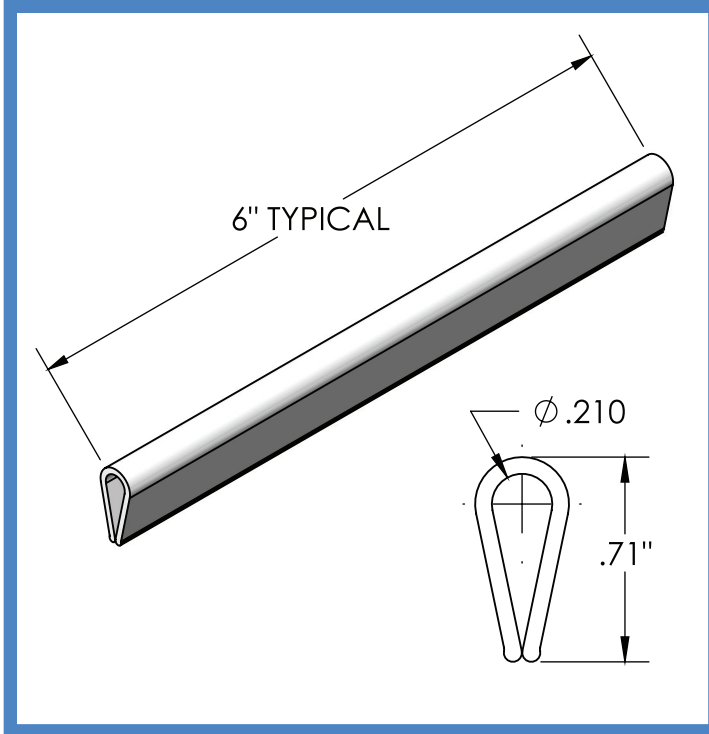
Cable Tray Accessories
 Manufactured in the USA by MonoSystems, Inc.



DIVIDER ALIGNMENT CLIP, UNIVERSAL

Notes

- 1.) Sold as each. Standard length: 6"
- 2.) Use as a protective covering and straight Alignment clip for adjoining divider sections.
- 3.) Material: Clear PVC. Meets UL94 flame resistance requirement.
- 4.) To install:
 - Center clip about adjoining dividers
 - Snap over the seam pressing the clip completely into place
- 5.) Views for reference - Do not scale.



ORDERING DATA EXAMPLE:

DIV-CLIP-6

LENGTH

6 = 6" LONG

4 International Drive
 Rye Brook, NY 10573
 Toll Free: 1 888.764.7681
 Phone: 914.934.2075
 Fax: 914.934.2190
 MonoSystems.com

