

# Cable Tray / Ladder / Aluminum D7A SERIES

NEMA Load Class: 20C +  
CSA Load Class: 142 kg/m 6.1m  
**PowerTray™**  
Manufactured by MonoSystems, Inc.

## D7A/STRAIGHT SECTION

### General Information

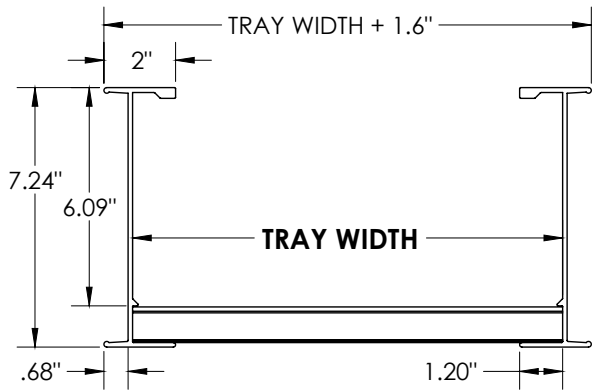
**TRAY DESIGN:** Construction and markings are per the latest edition of NEMA Standards Pub. VE1, CSA C22.2 No. 126.

**TRAY GROUNDING CAPABILITY:** Classified as an equipment grounding conductor per N.E.C. 392.7 with a maximum 2000 ampere rating. UL Cross Sectional area: 2.00 in<sup>2</sup>

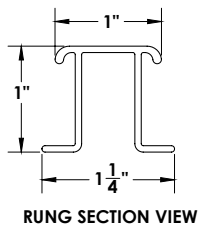
**CONNECTORS:** Supplied in pairs with hardware. Splice resistance is less than 0.00033 ohms. Standard hardware: 3/8 in. cadmium-plated with clear zinc topcoat. Stainless steel hardware is available upon request.

MonoSystems trays marked with CSA load class have been tested (loading, finish and electrical) by UL to CSA standard 126 22.2

Material: Aluminum 6063-T6 Alloy

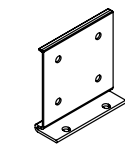
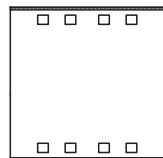


SIDERAIL: 7.24"  
LOAD DEPTH: 6.13"



RUNG SECTION VIEW

CONNECTOR



OPTIONAL:  
MID-SPAN SPLICE PLATES  
AVAILABLE A7-2012

LOAD CHART*	POWER-TRAY RAIL DATA		RAIL TYPE: D7A					
	SPAN (ft)		16	18	20	22	24	25
	<b>MAX LOAD (lbs/ft)</b>		233	184	149	123	103	95
<b>DEFLECTION MULTIPLIER</b>		0.0064	0.010	0.016	0.023	0.033	0.038	

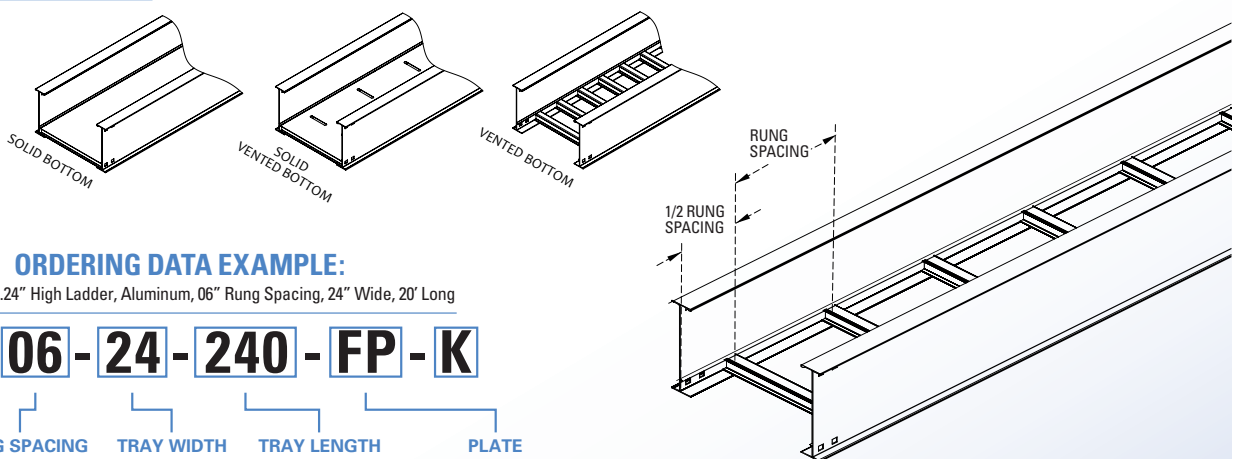


Classified by UL as equipment grounding conductors per NEC 392.7.

\* Values are based on simple beam tests per NEMA VE 1 on 36" wide cable tray with rungs spaced on 12" centers. Cable trays will support, without collapse, a 200 lb. (90.7 kg) concentrated load over and above published loads. Published load safety factor is 1.5.

To convert 1.5 safety factor to 2.0, multiply the published load by 0.75. To obtain mid-span deflection, multiply a load by the deflection multiplier. Cable tray must be supported on spans shorter than or equal to the length of the cable tray being installed.

Individual rungs will support without collapse a 200 lb. (90.7 kg) concentrated load applied at the mid-span of the rung, over and above the NEMA rated cable load with a 1.5 safety factor for highlighted NEMA spans and loads.



### ORDERING DATA EXAMPLE:

Power-Tray, 7.24" High Ladder, Aluminum, 06" Rung Spacing, 24" Wide, 20' Long

**D7A 06 - 24 - 240 - FP - K**

RAIL SERIES	RUNG SPACING	TRAY WIDTH	TRAY LENGTH	PLATE
D7 = 7.24" HIGH	06 = 6"	06 = 6" WIDE	144 = 12'	NONE = REGULAR PLATE
ALUMINUM	09 = 9"	09 = 9" WIDE	240 = 20'	FP = FLAT PLATE
SIDE RAIL	12 = 12"	12 = 12" WIDE	300 = 25'	
	18 = 18"	18 = 18" WIDE		
	04 = VENTED BOTTOM	24 = 24" WIDE		
	SB = SOLID BOTTOM	30 = 30" WIDE		
	SBV = SOLID VENTED BOTTOM	36 = 36" WIDE		
		42 = 42" WIDE		

4 International Drive  
Rye Brook, NY 10573  
Toll Free: 1 888.764.7681  
Phone: 914.934.2075  
Fax: 914.934.2190  
MonoSystems.com



One pair of mid-span splice connectors and included hardware are provided for each straight tray and fitting (M.S.I/P/N: A7-2012).