

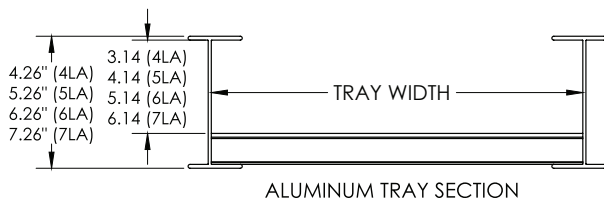
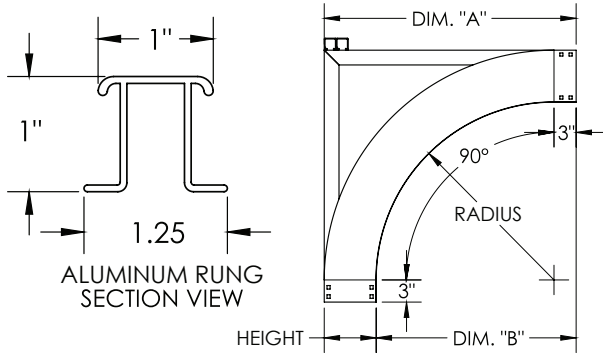
Cable Tray / Ladder Tray CSF-XXXXXA

PowerTray™ Fittings

Manufactured in the USA by MonoSystems, Inc.



CABLE SUPPORT FITTINGS B, C, D, E SERIES RAIL



Notes:

- 1.) One pair of splice connectors and included hardware are provided for each fitting. (M.S.I P/N: A4-2001, A5-2001, A6-2001, A7-2001).
- 2.) Fitting is recommended for use at the top of vertical runs to support the cable weight. Slots in cross brace are used for mounting eyebolts (ordered separately).
- 3.) Views for reference - do not scale.



ORDERING DATA EXAMPLE:

CSF - XX XX - X X A

RAIL SERIES

CSF = CABLE
SUPPORT
FITTING

RADIUS

12 = 12"
24 = 24"
36 = 36"
48 = 48"

WIDTH 1

06 = 6" WIDE
09 = 9" WIDE
12 = 12" WIDE
18 = 18" WIDE
24 = 24" WIDE
30 = 30" WIDE
36 = 36" WIDE
42 = 42" WIDE

TRAY MATERIAL

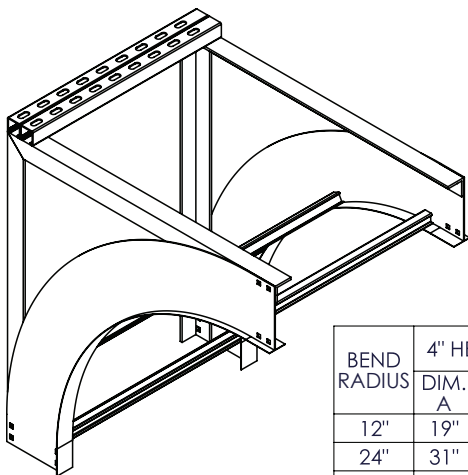
A = ALUMINUM

TRAY TYPE

L = LADDER
S = SOLID BOTTOM

HEIGHT

4 = 4" (3" DEPTH)
5 = 5" (4" DEPTH)
6 = 6" (5" DEPTH)
7 = 7" (6" DEPTH)



BEND RADIUS	4" HEIGHT		5" HEIGHT		6" HEIGHT		7" HEIGHT	
	DIM. A	DIM. B	DIM. A	DIM. B	DIM. A	DIM. B	DIM. A	DIM. B
12"	19"	15"	20"	15"	21"	15"	22"	15"
24"	31"	27"	32"	27"	33"	27"	34"	27"
36"	43"	39"	44"	39"	45"	39"	46"	39"
48"	55"	51"	56"	51"	57"	51"	58"	51"

4 International Drive
Rye Brook, NY 10573
Toll Free: 1 888.764.7681
Phone: 914.934.2075
Fax: 914.934.2190
MonoSystems.com

