

Cable Tray / Ladder Tray

ZO-NEOPE34

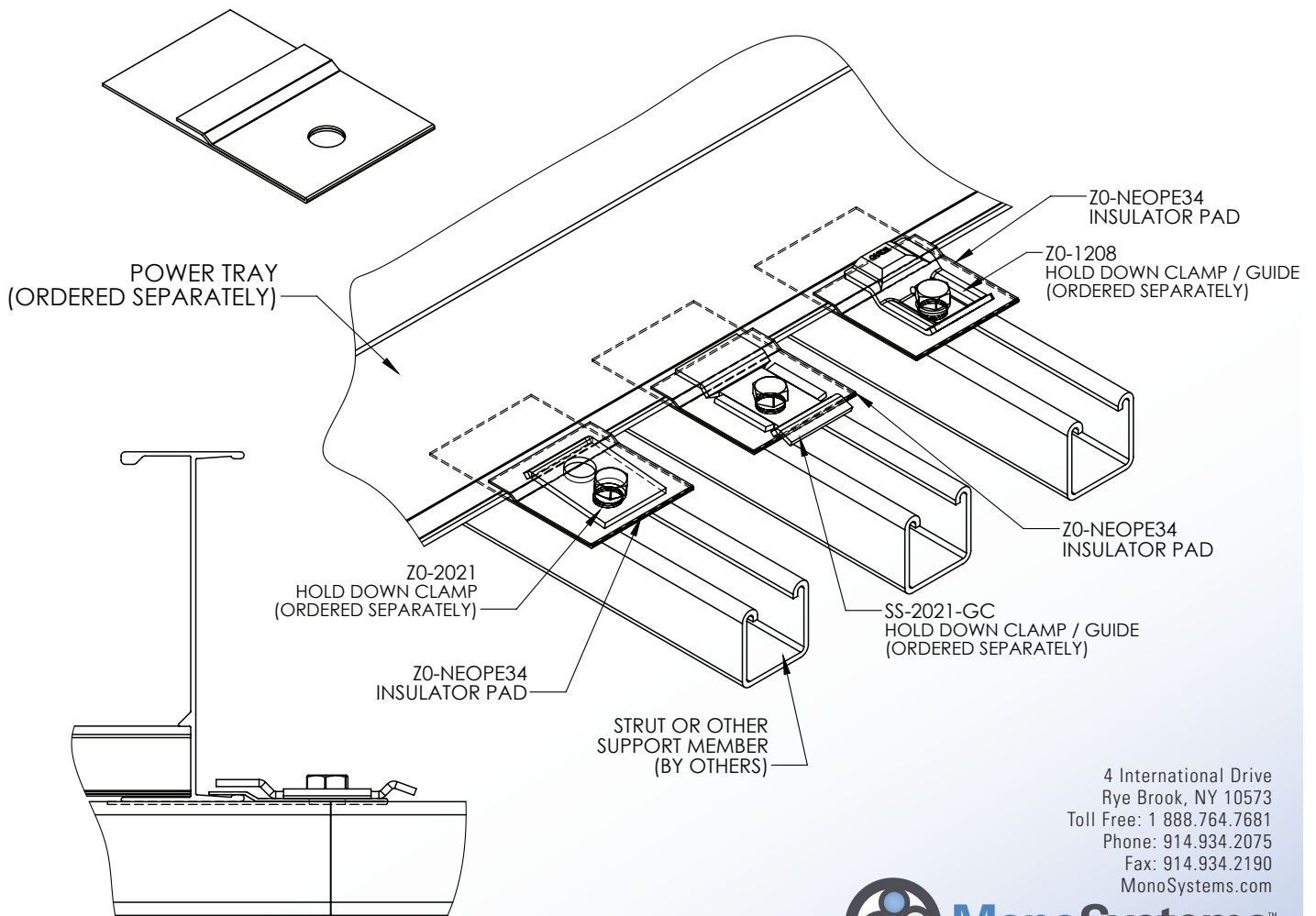
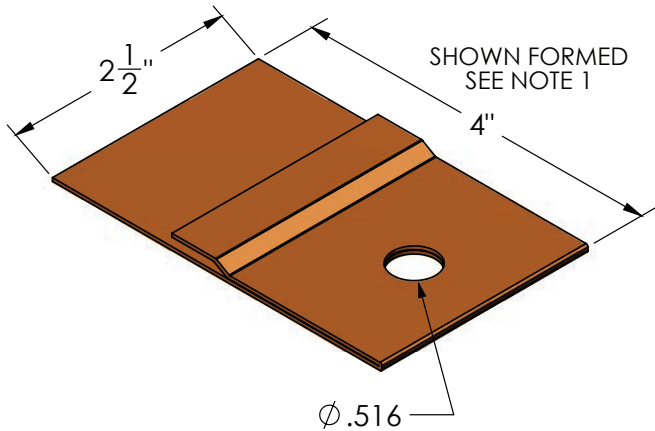
PowerTray™ Accessories
 Manufactured in the USA by MonoSystems, Inc.



INSULATOR PAD

Notes

- 1.) Sold as a pair. Supplied in the flat.
- 2.) Use an insulator or friction reducer.
- 3.) Hardness rockwell R=65
- 4.) Material: 0.04" high density polyethylene (HDPE).
Weight: 0.03 lbs / each. UV resistant.
- 5.) Do not exceed 50ft / lbs of torque on hardware used with insulator pad.
- 6.) Views for reference - Do not scale.



4 International Drive
 Rye Brook, NY 10573
 Toll Free: 1 888.764.7681
 Phone: 914.934.2075
 Fax: 914.934.2190
 MonoSystems.com

