

# Cable Tray / Ladder Tray

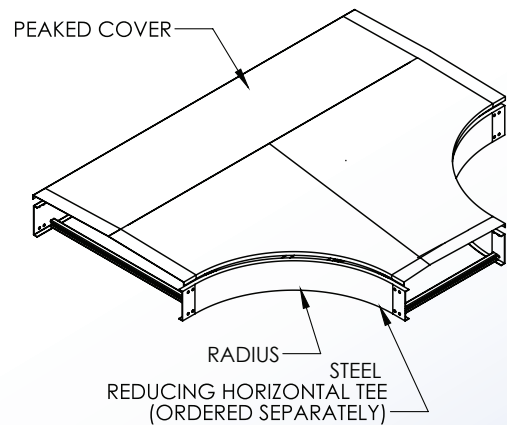
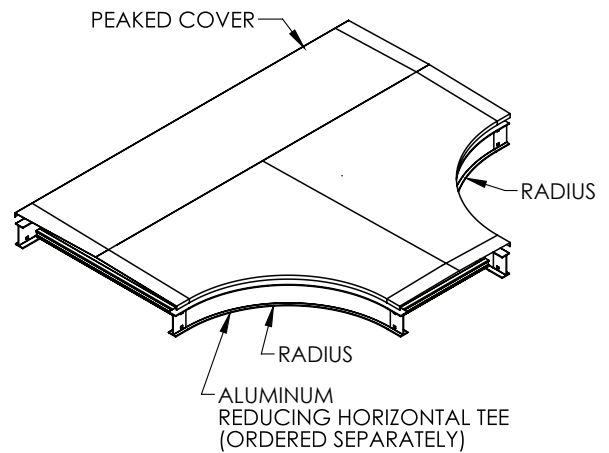
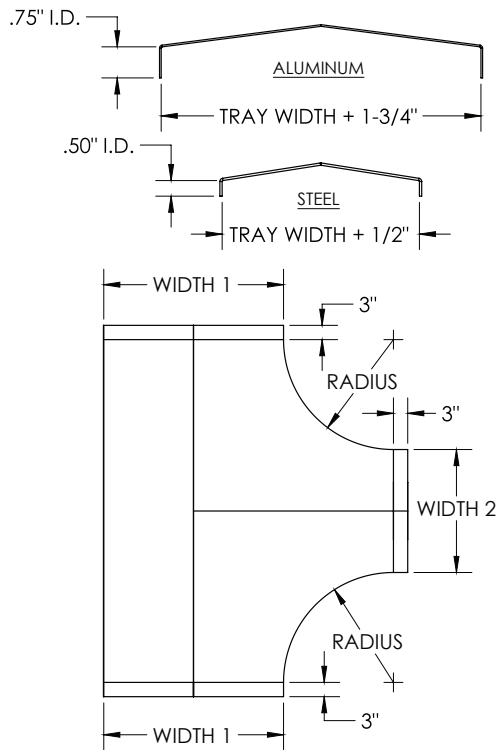
## X0-2073-RHT-XXXX-XX

**PowerTray™ Fittings**  
 Manufactured by MonoSystems, Inc.

### PEAKED FITTING COVER FOR REDUCING HORIZONTAL TEE

**Notes:**

1.) Views for reference - do not scale.



**ORDERING DATA EXAMPLE:**

**X0-2 073-RHT-XX W1-W2**

<b>MATERIAL</b>	<b>SERIES</b>	<b>RHT = REDUCING HORIZONTAL TEE</b>	<b>RADIUS</b>	<b>WIDTH 2</b>	<b>WIDTH 2</b>
A = ALUMINUM P = PRE-GALV STEEL G = HOT DIPPED GALV	2 = SERIES: B,C,D		12 = 12" 18 = 18" 24 = 24" 36 = 36"	09 = 9" 12 = 12" 18 = 18" 24 = 24" 30 = 30" 36 = 36" 42 = 42"	06 = 6" 09 = 9" 12 = 12" 18 = 18" 24 = 24" 30 = 30" 36 = 36"
	<b>COVER TYPE</b>				
	073 = PEAKED COVER				