

# Cable Tray / Channel Tray

# SXX1XX-XX-1XX

## Channel Tray Accessories

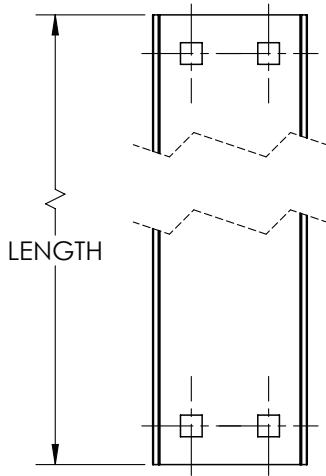
Manufactured in the USA by MonoSystems, Inc.



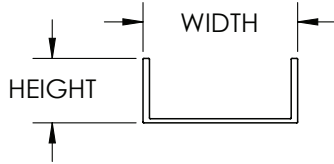
## Channel Tray

### General Information

- 1.) All straight sections come with a splice plate (sbx-104x) and 3/8" mounting hardware.
- 2.) Recommended torque: for 3/8" fasteners: 25-35 ft-lbs [33.9-47.5 N-m].
- 3.) Views for reference - do not scale.

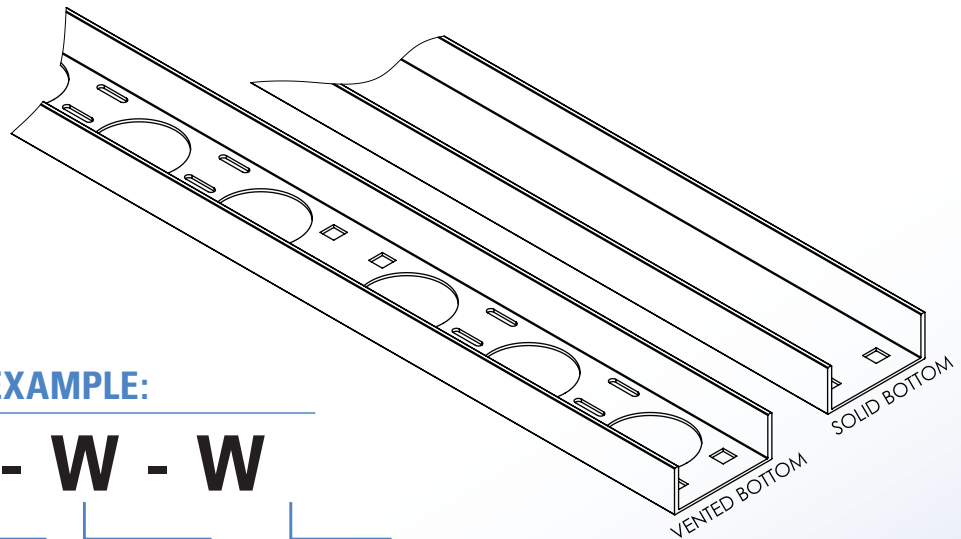


LENGTH



HEIGHT

WIDTH



### ORDERING DATA EXAMPLE:

**S B X H - W - W**

PATTERN

MATERIAL

TRAY HEIGHT

TRAY WIDTH

TRAY LENGTH

B = SOLID BOTTOM  
V = VENTED BOTTOM

A = ALUMINUM  
P = PREGLAV STEEL  
G = HDGAF STEEL  
V SS4 = STAINLESS STEEL 304  
SS6 = STAINLESS STEEL 316

125 = 1.25" — 03 = 3"  
175 = 1.75" — 04 = 4"  
                  06 = 6"

120 = 120"  
144 = 144"

4 International Drive  
Rye Brook, NY 10573  
Toll Free: 1 888.764.7681  
Phone: 914.934.2075  
Fax: 914.934.2190  
MonoSystems.com

