

Cable Tray / Channel Tray

SXX175-04-1XX

Channel Tray

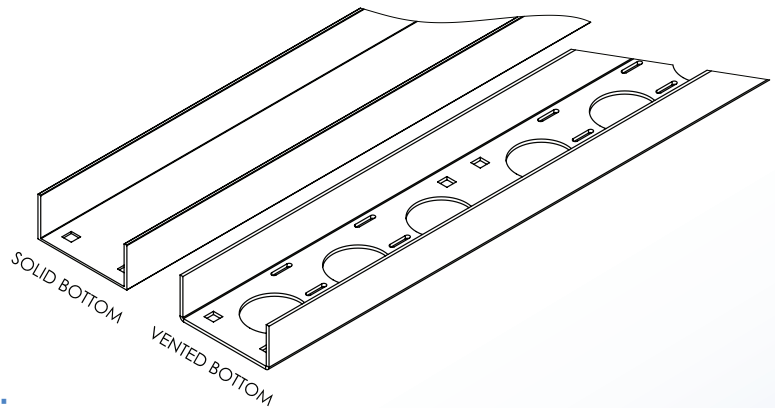
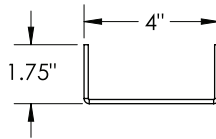
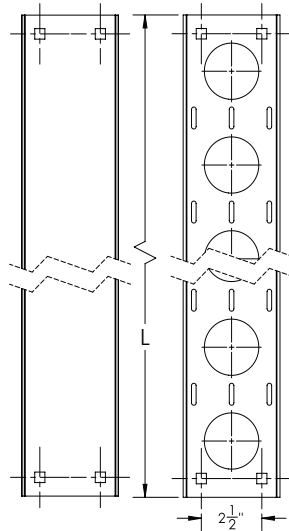
Manufactured in the USA by MonoSystems, Inc.



4" Wide Channel Tray

General Information

- 1.) All straight sections come with a splice plate (SBX-1044) and 3/8" mounting hardware.
- 2.) Recommended torque: for 3/8" fasteners: 25-35 ft-lbs [33.9-47.5 N-m].
- 3.) Views for reference - do not scale.



ORDERING DATA EXAMPLE:

S X X 175 - 04 - L

PATTERN

MATERIAL

TRAY HEIGHT

TRAY WIDTH

TRAY LENGTH

B = SOLID
BOTTOM
V = VENTED
BOTTOM

A = ALUMINUM

175 = 1.75"

04 = 4"

120 = 120"
144 = 144"

4 International Drive
Rye Brook, NY 10573
Toll Free: 1 888.764.7681
Phone: 914.934.2075
Fax: 914.934.2190
MonoSystems.com

