

# Cable Tray / Channel Tray

## SXX125-03-1XX

## Channel Tray

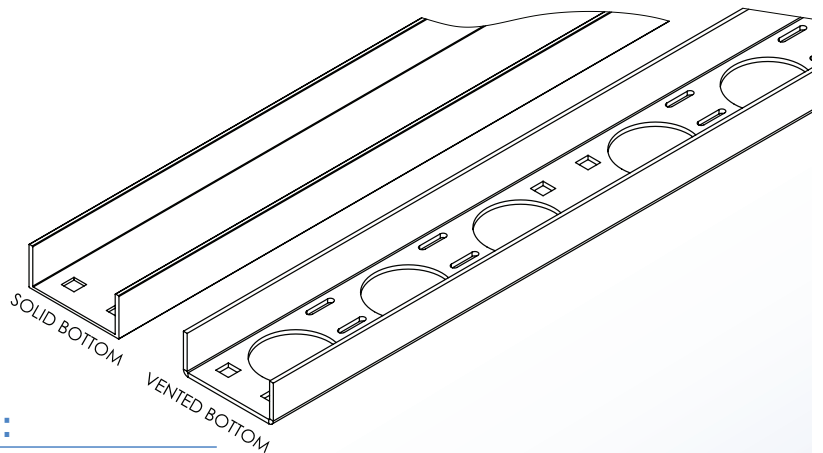
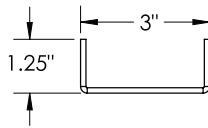
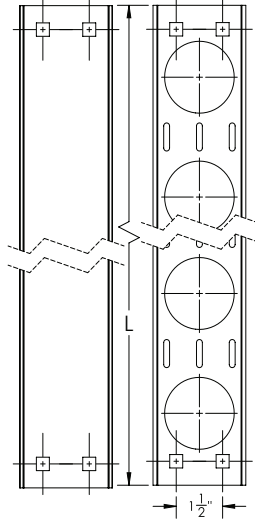
Manufactured in the USA by MonoSystems, Inc.



### 3" Wide Channel Tray

#### General Information

- 1.) All straight sections come with a splice plate (sbx-1043) and 3/8" mounting hardware.
- 2.) Recommended torque: for 3/8" fasteners: 25-35 ft-lbs [33.9-47.5 N-m].
- 3.) Views for reference - do not scale.



#### ORDERING DATA EXAMPLE:

**S X X 125 - 03 - L**

PATTERN

MATERIAL

TRAY HEIGHT

TRAY WIDTH

TRAY LENGTH

B = SOLID  
BOTTOM  
V = VENTED  
BOTTOM

A = ALUMINUM

125 = 1.25"

03 = 3"

120 = 120"  
144 = 144"

4 International Drive  
Rye Brook, NY 10573  
Toll Free: 1 888.764.7681  
Phone: 914.934.2075  
Fax: 914.934.2190  
MonoSystems.com

