

Cable Tray / Channel Tray

SX-XX-90VC00

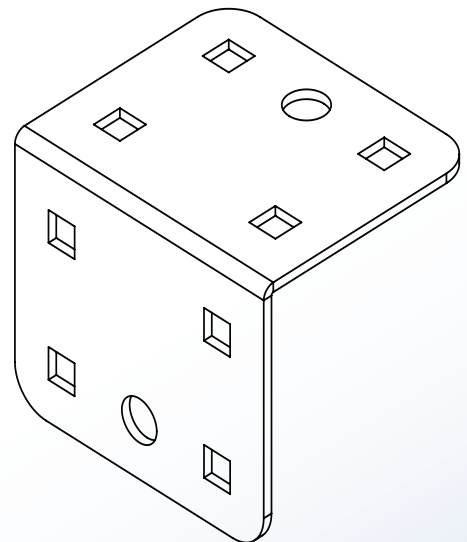
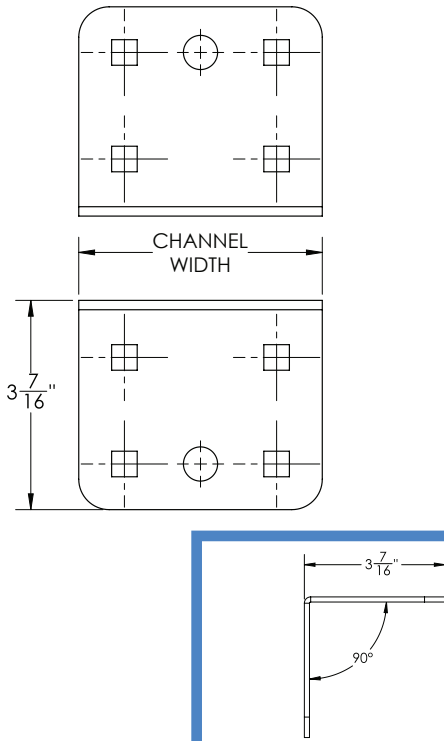
Channel Tray Accessories
 Manufactured in the USA by MonoSystems, Inc.



Vertical Connector

General Information

- 1.) Attach connector to channel tray using provided 3/8" hardware.
- 2.) Recommended torque: for 3/8" fasteners: 25-35 ft-lbs [33.9-47.5 N-m].
- 3.) Views for reference - do not scale.



ORDERING DATA EXAMPLE:

SX - XX - 90 VC 00

MATERIAL

CHANNEL WIDTH

ANGLE

FITTING TYPE

A = ALUMINUM
 P = PREGLAV STEEL
 G = HDGAF STEEL
 SS4 = STAINLESS STEEL 304
 SS6 = STAINLESS STEEL 316

03 = 3"
 04 = 4"
 06 = 6"

90 = 90°

VC = 90° VERTICAL
 CONNECTOR

4 International Drive
 Rye Brook, NY 10573
 Toll Free: 1 888.764.7681
 Phone: 914.934.2075
 Fax: 914.934.2190
 MonoSystems.com

