

Cable Tray / Channel Tray

SVX-1125

Channel Tray Accessories

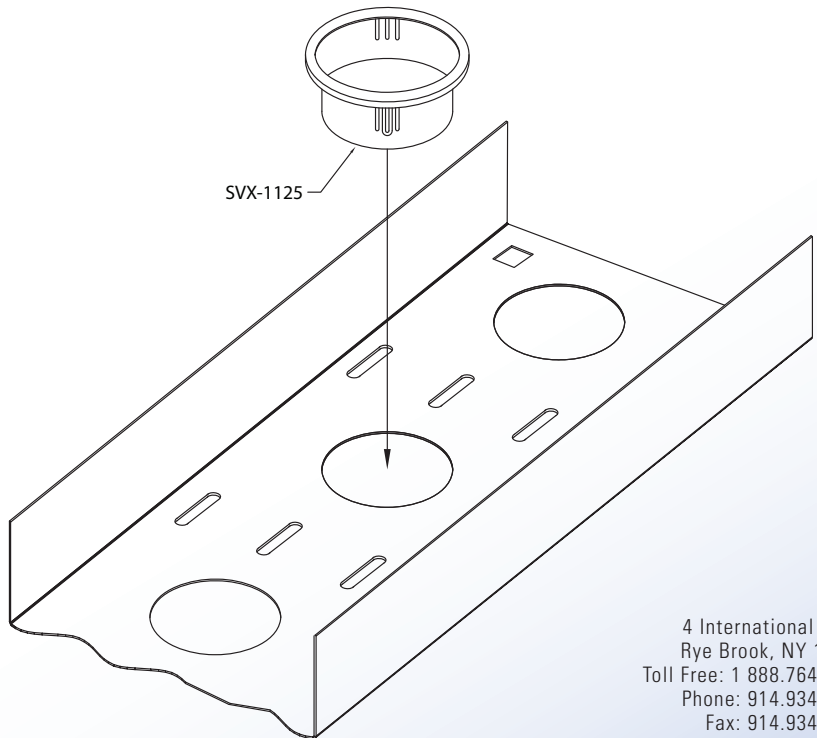
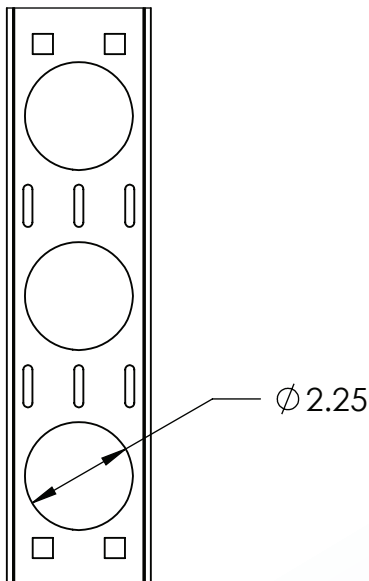
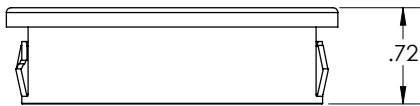
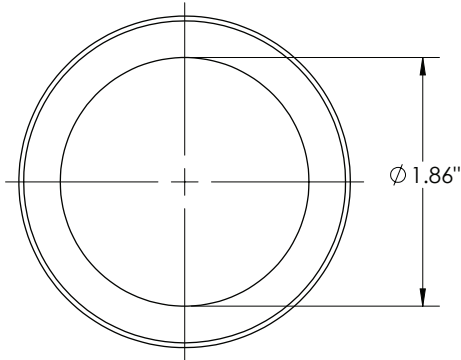
Manufactured in the USA by MonoSystems, Inc.



Cable Channel Bushing

General Information

The Cable Channel Bushing is a snap-in plastic bushing used to protect cable insulation from mechanical wear



4 International Drive
Rye Brook, NY 10573
Toll Free: 1 888.764.7681
Phone: 914.934.2075
Fax: 914.934.2190
MonoSystems.com

