

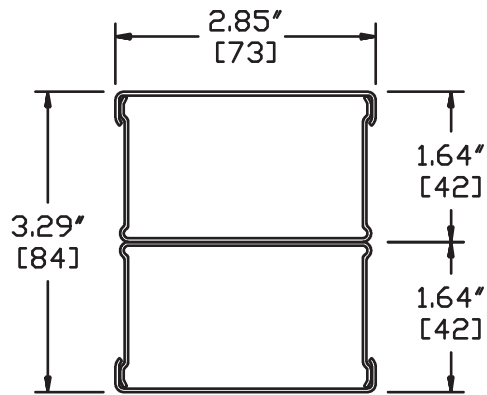
Power Pole / Steel SPS3004

SnaPole™ Fittings

Manufactured in the USA by MonoSystems, Inc.



BLANK END FITTING



SPS32 SERIES
STEEL POWER POLE
SECTION VIEW
SCALE: NONE

Assembly Instructions

- 1.) Insert blank end fully into SPS3200 base section. Secure with one 6-32 x 1/4" pan head screw (provided).

Floor Attachment Options

- A.) For poles mounted on carpeted surface use provided velcro pad to attach end of pole to carpet.
- B.) For poles mounted on flat smooth surfaces, field drill blank end and attach using screws or anchors supplied by others.

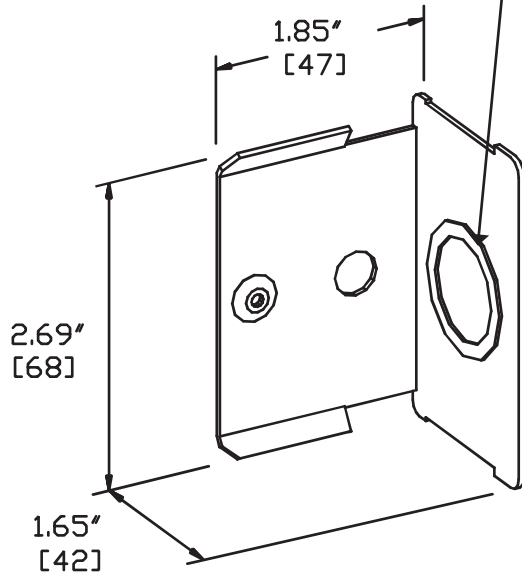
Material

Galvanized Steel.

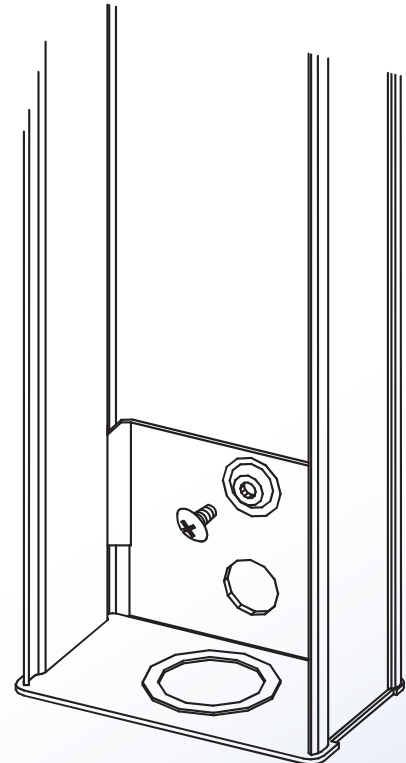


UL LISTED
FILE: E170295

1/2" & 3/4" TRADE KNOCKOUTS
[0.875" & 1.109"]



BLANK END FITTING (SMS3004)



4 International Drive
Rye Brook, NY 10573
Toll Free: 1 888.764.7681
Phone: 914.934.2075
Fax: 914.934.2190
MonoSystems.com



MonoSystems™
wire management. managed.™