

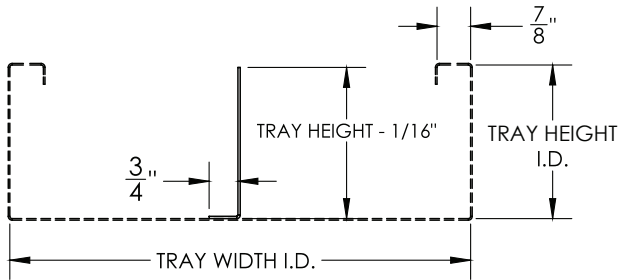
# Cable Tray / Trough Tray SBXX-DIV-120

TroughTray™ Accessories  
Manufactured by MonoSystems, Inc.

## STRAIGHT DIVIDER

### Notes:

- 1.) Ordered as each. Use to create multiple compartments in TroughTray.
- 2.) Install using rivets, tek screws, or machine screws. Attachment hardware by others.
- 3.) For horizontal bend divider see P/N: SBXX-2058
- 4.) Views for reference - do not scale.



### ORDERING DATA EXAMPLE:

# SBXX-DIV-120

#### MATERIAL

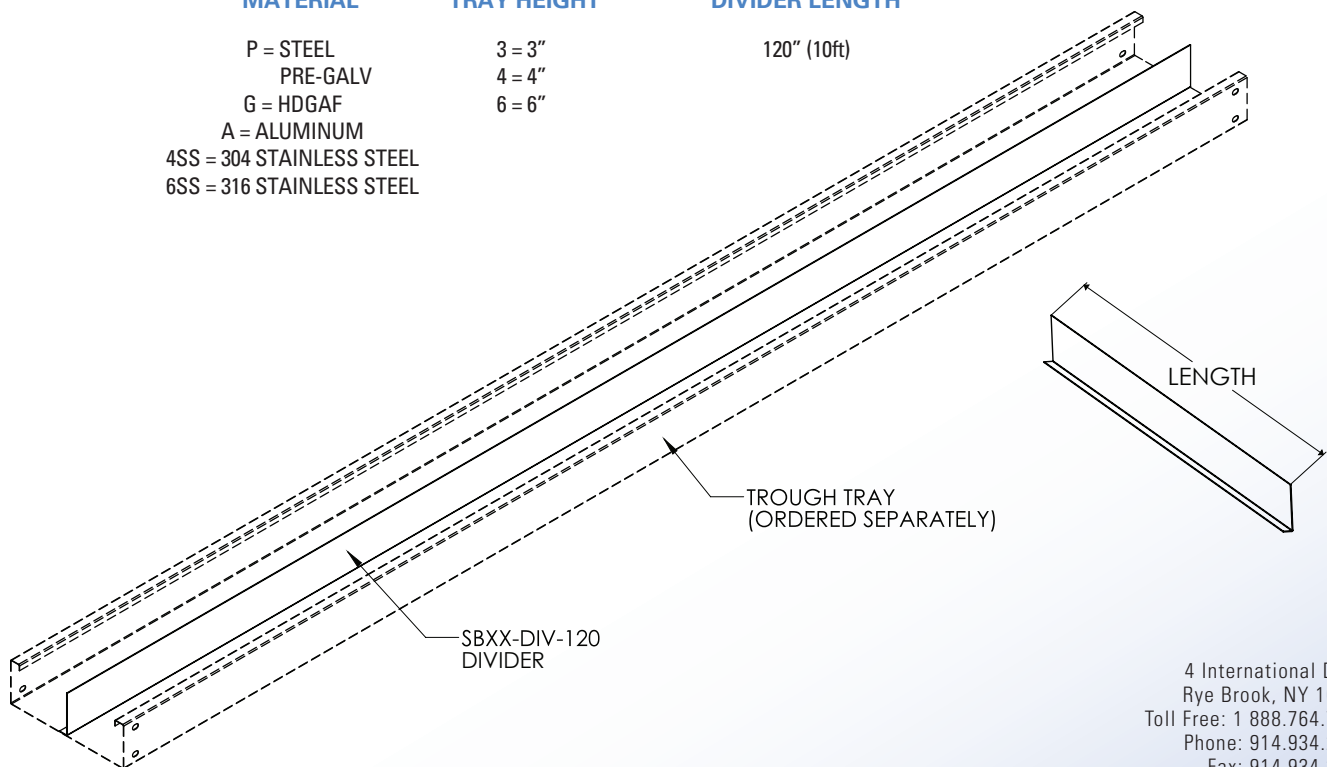
P = STEEL  
PRE-GALV  
G = HDGAF  
A = ALUMINUM  
4SS = 304 STAINLESS STEEL  
6SS = 316 STAINLESS STEEL

#### TRAY HEIGHT

3 = 3"  
4 = 4"  
6 = 6"

#### DIVIDER LENGTH

120" (10ft)



4 International Drive  
Rye Brook, NY 10573  
Toll Free: 1 888.764.7681  
Phone: 914.934.2075  
Fax: 914.934.2190  
MonoSystems.com

