

Cable Tray / Channel Tray

SBXCOV-0X-XXOVXX

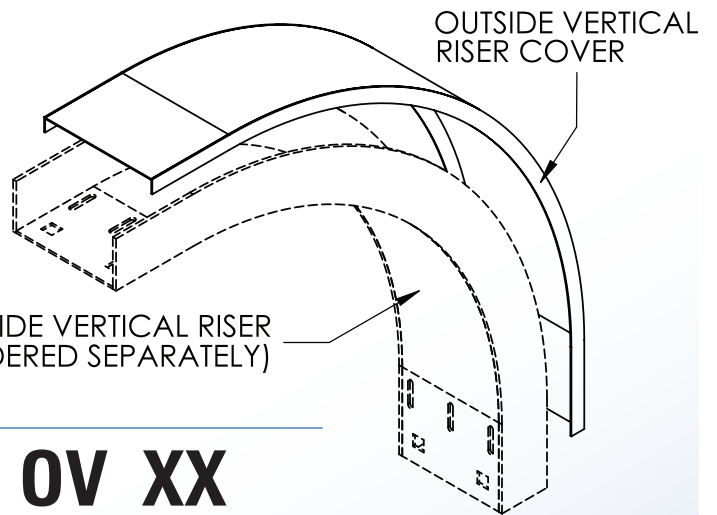
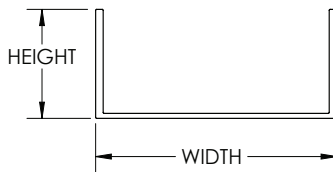
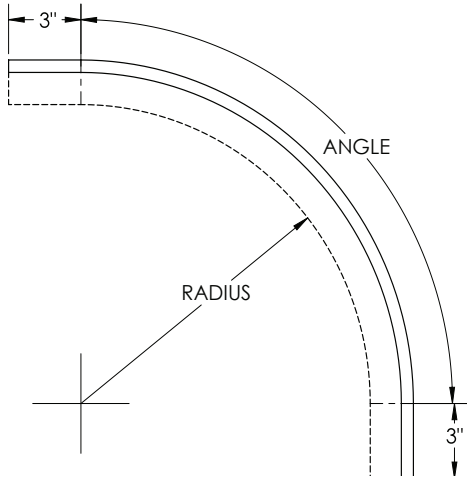
Channel Tray Fittings
 Manufactured in the USA by MonoSystems, Inc.



Outside Vertical Riser Cover, Channel Tray

General Information

- 1.) Cover can be attached in place by using a
 - sbx-covcl-0x (cover clip)
 - sbx-903x (cover clamp)
 - sbx-902x (hold down clamp)
 All accessories are ordered separately
- 2.) Views for reference - do not scale.



ORDERING DATA EXAMPLE:

SB X COV - 0X - XX OV XX

MATERIAL

A = ALUMINUM
 P = PREGLAV STEEL
 G = HDGAF STEEL
 SS4 = STAINLESS STEEL 304
 SS6 = STAINLESS STEEL 316

WIDTH

03 = 3"
 04 = 4"
 06 = 6"

ANGEL

30 = 30°
 45 = 45°
 60 = 60°
 90 = 90°

RADIUS

12 = 12"
 24 = 24"
 36 = 36"
 48 = 48"

4 International Drive
 Rye Brook, NY 10573
 Toll Free: 1 888.764.7681
 Phone: 914.934.2075
 Fax: 914.934.2190
 MonoSystems.com

