

# Cable Tray / Channel Tray

## SBXCOV-0X-HTXX

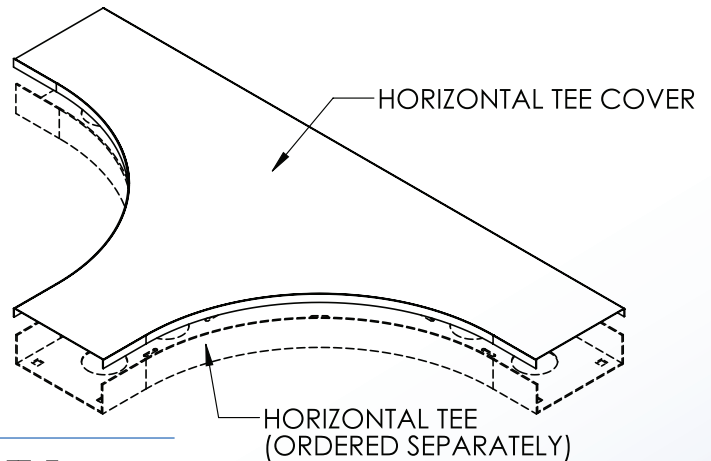
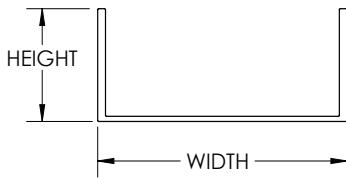
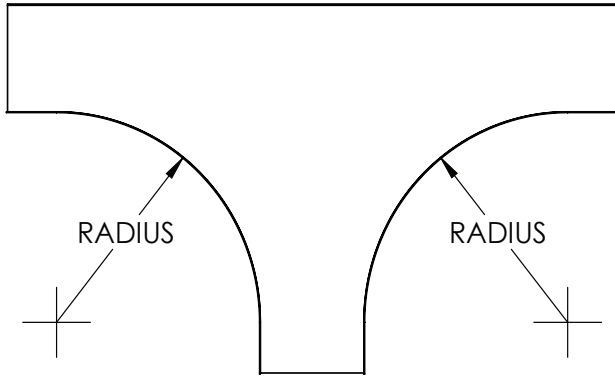
**Channel Tray Fittings**  
 Manufactured in the USA by MonoSystems, Inc.



### Horizontal TeeCover, Channel Tray

#### General Information

- 1.) Cover can be attached in place by using a
  - SBX-COVCL-0X (cover clip)
  - SBX-903X (cover clamp)
  - SBX-902X (hold down clamp)
 All accessories are ordered separately.
- 2.) Views for reference - do not scale.



#### ORDERING DATA EXAMPLE:

## SB X COV - 0X - HT XX

**MATERIAL**

A = ALUMINUM  
 P = PREGLAV STEEL  
 G = HDGAF STEEL  
 SS4 = STAINLESS STEEL 304  
 SS6 = STAINLESS STEEL 316

**WIDTH**

03 = 3"  
 04 = 4"  
 06 = 6"

**RADIUS**

12 = 12"  
 24 = 24"  
 36 = 36"  
 48 = 48"

4 International Drive  
 Rye Brook, NY 10573  
 Toll Free: 1 888.764.7681  
 Phone: 914.934.2075  
 Fax: 914.934.2190  
 MonoSystems.com

