

Cable Tray / Channel Tray

SBX-903X

Channel Tray Accessories

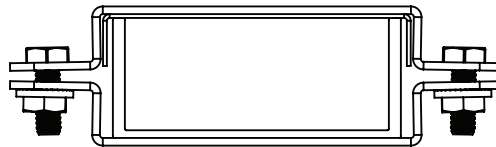
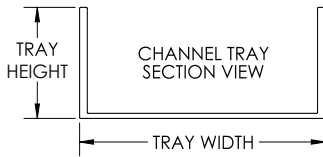
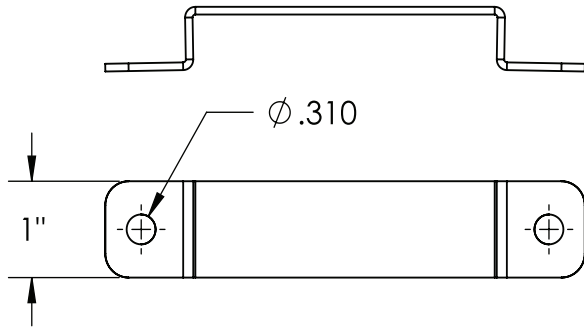
Manufactured in the USA by MonoSystems, Inc.



Wrap-Around Cover Clamp, Channel Tray

General information

- 1.) **To install:** place 1 part of cover clamp around channel tray cover and tray assembly. Place 2nd part around opposite end of channel tray, align clamp holes and install hardware.
- 2.) Furnished as one complete clamp with 1/4" hardware.
- 3.) Views for reference - do not scale.



ORDERING DATA EXAMPLE:

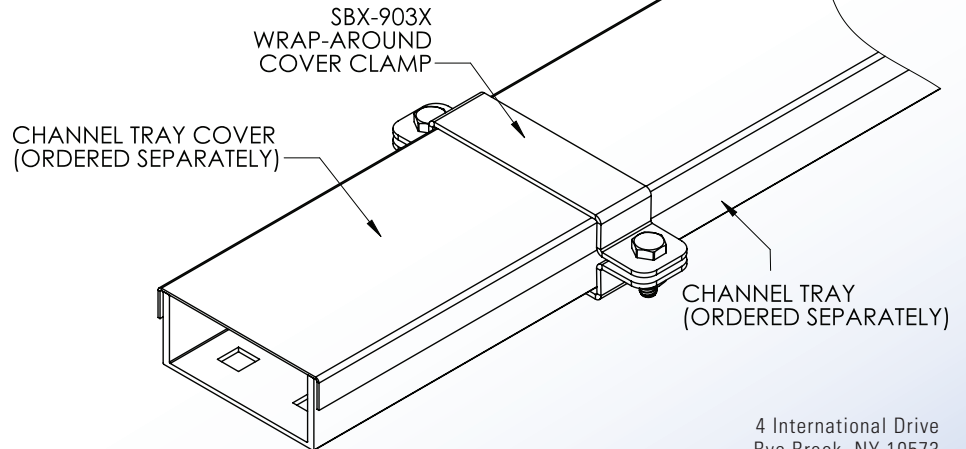
SB X - 903 - X

MATERIAL

A = ALUMINUM
P = PREGLAV STEEL
G = HDGAF STEEL
SS4 = STAINLESS STEEL 304
SS6 = STAINLESS STEEL 316

WIDTH

3 = 3"
4 = 4"
6 = 6"



4 International Drive
Rye Brook, NY 10573
Toll Free: 1 888.764.7681
Phone: 914.934.2075
Fax: 914.934.2190
MonoSystems.com

