

Cable Tray / Channel Tray

SBX-902X

Channel Tray Accessories

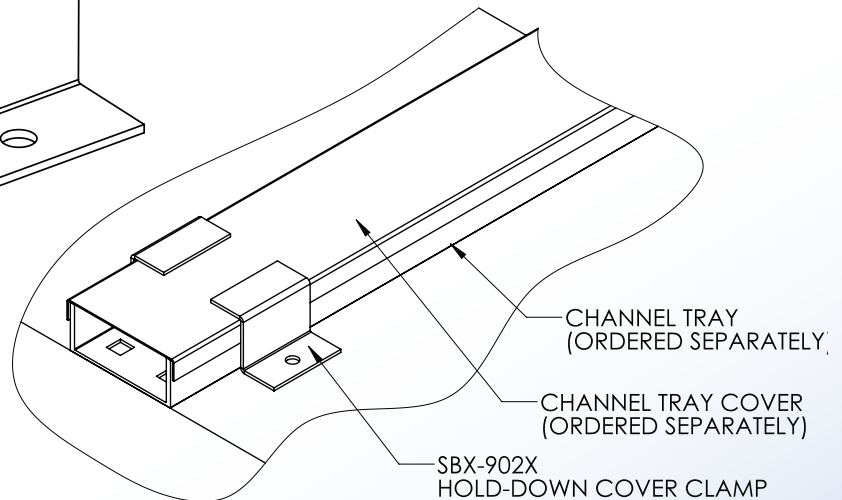
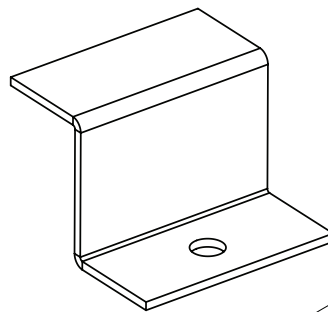
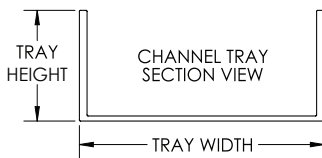
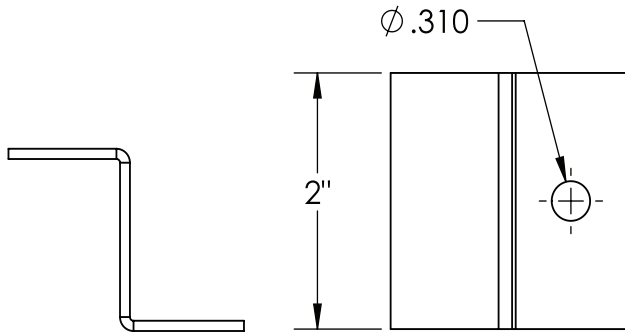
Manufactured in the USA by MonoSystems, Inc.



Combination Hold-Down & Cover Clamp

General Information

- 1.) Furnished As One Clamp. 1/4" Mounting Hardware Ordered Separately.
- 2.) Views For Reference - Do Not Scale.



ORDERING DATA EXAMPLE:

SB X - 902 - X

MATERIAL

WIDTH

A = ALUMINUM
 P = PREGLAV STEEL
 G = HDGAF STEEL
 SS4 = STAINLESS STEEL 304
 SS6 = STAINLESS STEEL 316

3 = 3"
 4 = 4"
 6 = 6"

4 International Drive
 Rye Brook, NY 10573
 Toll Free: 1 888.764.7681
 Phone: 914.934.2075
 Fax: 914.934.2190
 MonoSystems.com

