

# Cable Tray / Channel Tray

## SBX-409-X

## Channel Tray Accessories

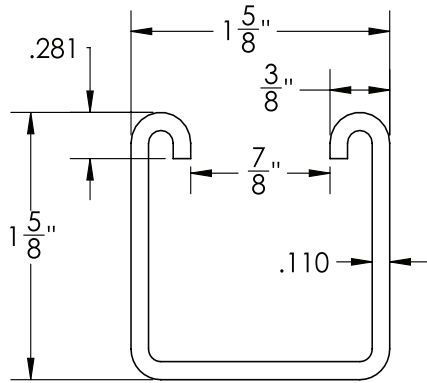
Manufactured in the USA by MonoSystems, Inc.



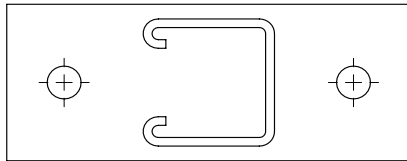
### Channel Tray Strut Bracket

#### General Information

- 1.) Attach strut bracket using 3/8" hardware (by others).
- 2.) Views for reference - do not scale.



STRUT SECTION



PART NUMBER	UNIFORM LOAD	TRAY WIDTH
SBX-409-6	1920 (lbs)	6
SBX-409-9	1280 (lbs)	9



#### ORDERING DATA EXAMPLE:

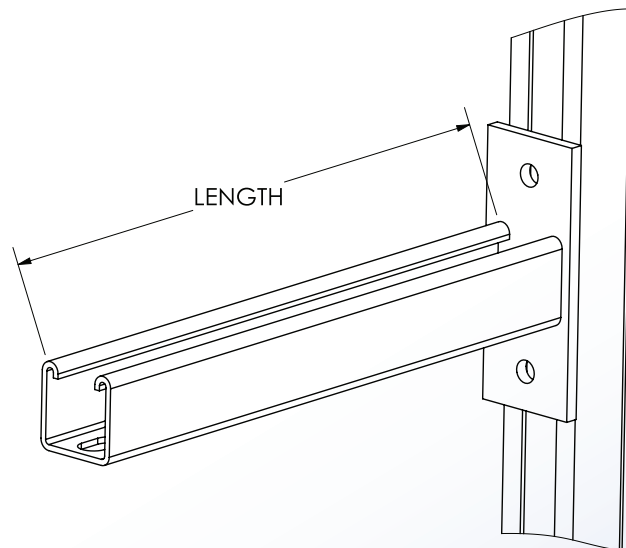
# SB X - 409 - X

MATERIAL

LENGTH

P = PREGLAV STEEL  
G = HDGAF STEEL

6"  
9"



4 International Drive  
Rye Brook, NY 10573  
Toll Free: 1 888.764.7681  
Phone: 914.934.2075  
Fax: 914.934.2190  
MonoSystems.com

