

Cable Tray / Channel Tray

SBX-3305-X

Channel Tray Accessories

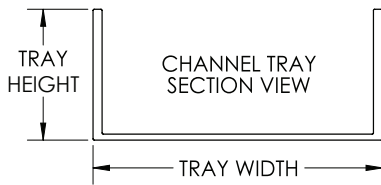
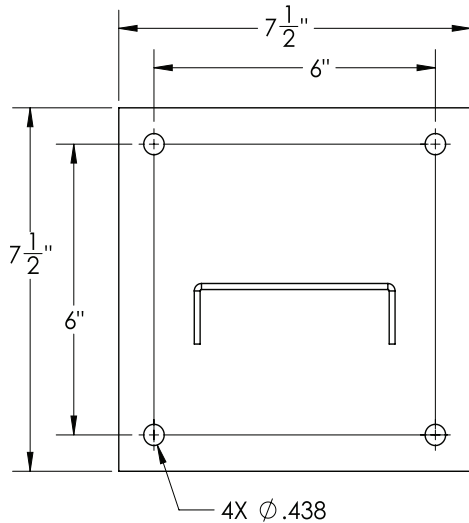
Manufactured in the USA by MonoSystems, Inc.



Channel To Floor Base Plate

General Information

- 1.) Ordered as each. All hardware ordered separately.
- 2.) Views for reference - do not scale.



ORDERING DATA EXAMPLE:

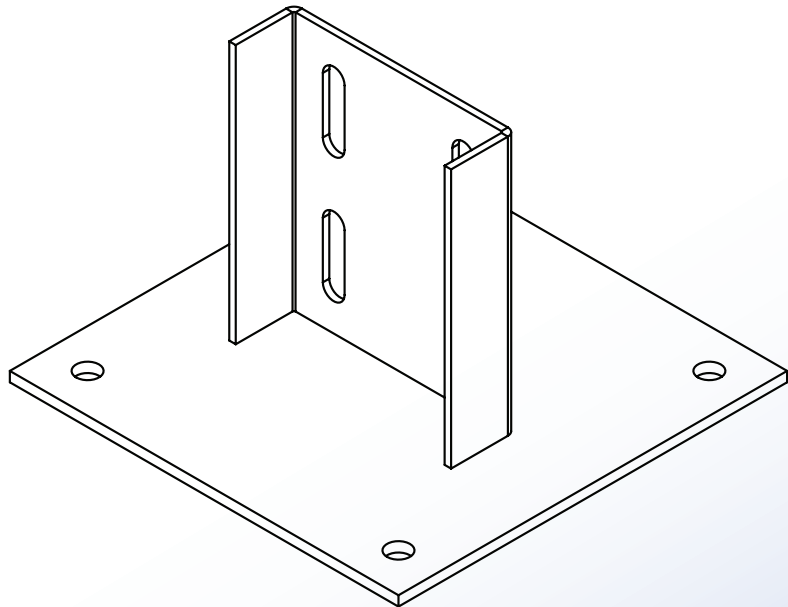
SB X - 3305 - X

MATERIAL

WIDTH

A = ALUMINUM
P = PREGLAV STEEL
G = HDGAF STEEL
SS4 = STAINLESS STEEL 304
SS6 = STAINLESS STEEL 316

3 = 3"
4 = 4"
6 = 6"



4 International Drive
Rye Brook, NY 10573
Toll Free: 1 888.764.7681
Phone: 914.934.2075
Fax: 914.934.2190
MonoSystems.com

