

Cable Tray / Channel Tray

SBX-158X

Channel Tray Accessories

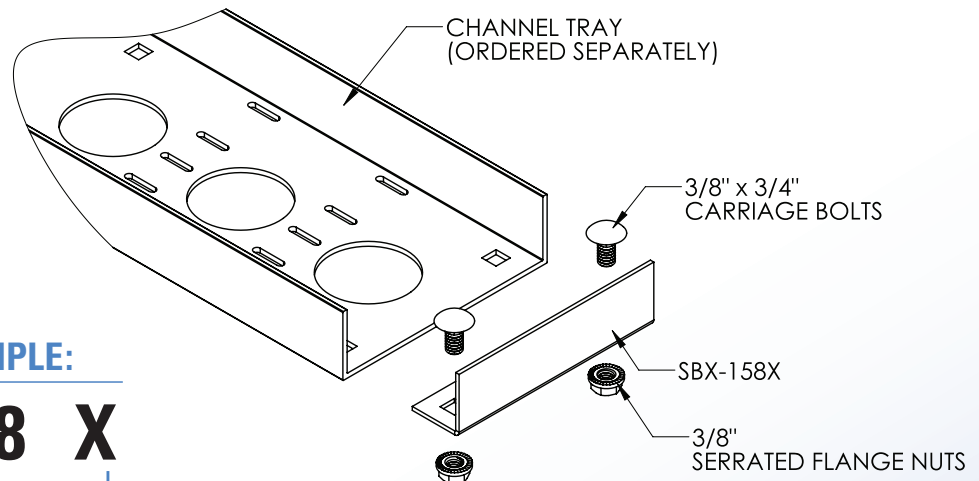
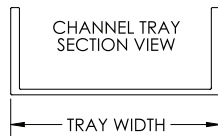
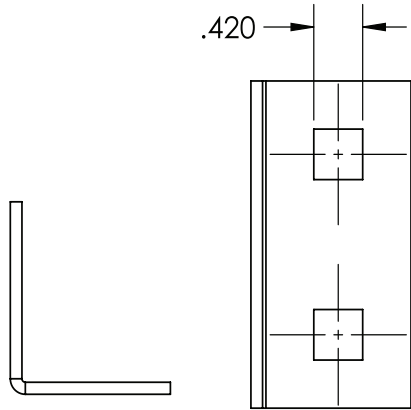
Manufactured in the USA by MonoSystems, Inc.



End Plate, Channel Tray

General Information

- 1.) Attach end plate to channel tray using provided 3/8" hardware as shown.
- 2.) Recommended torque: for 3/8" fasteners 25-35 ft-lbs [33.9-47.5 N-m].
- 3.) Views for reference - do not scale.



ORDERING DATA EXAMPLE:

SB X - 158 X

MATERIAL

WIDTH

A = ALUMINUM
P = PREGLAV STEEL
G = HDGAF STEEL
SS4 = STAINLESS STEEL 304
SS6 = STAINLESS STEEL 316

03 = 3"
04 = 4"
06 = 6"

4 International Drive
Rye Brook, NY 10573
Toll Free: 1 888.764.7681
Phone: 914.934.2075
Fax: 914.934.2190
MonoSystems.com

