

# Cable Tray / Channel Tray

## SBX-1261-X

### Channel Tray Accessories

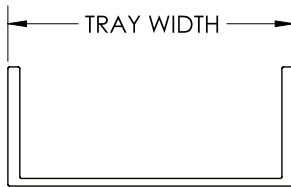
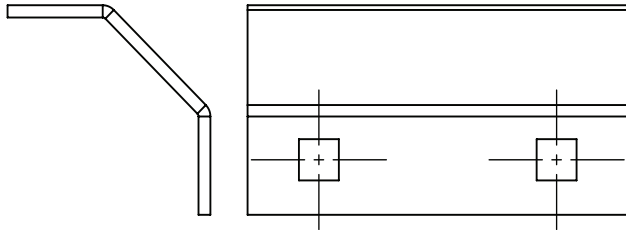
Manufactured in the USA by MonoSystems, Inc.



## Channel To Channel Or Tray Bracket

### General Information

- 1.) Attach bracket plate to channel tray using provided 3/8" hardware as shown.
- 2.) Recommended torque: for 3/8" fasteners 25-35 ft-lbs [33.9-47.5 N-m].
- 3.) Views for reference - do not scale.



### ORDERING DATA EXAMPLE:

# SB X - 1261 - X

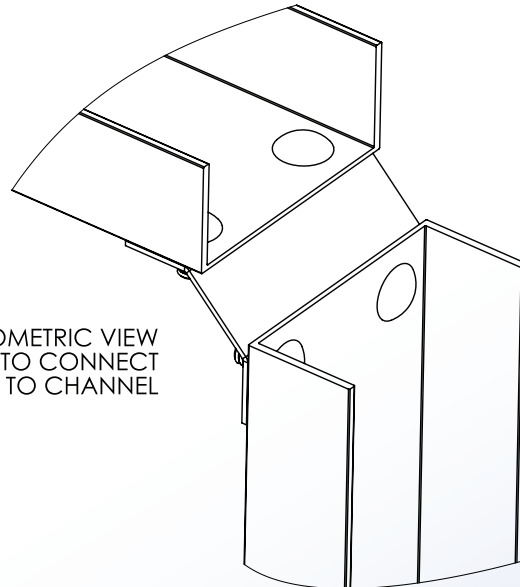
MATERIAL

TRAY WIDTH

A = ALUMINUM  
P = PREGLAV STEEL  
G = HDGAF STEEL  
SS4 = STAINLESS STEEL 304  
SS6 = STAINLESS STEEL 316

03 = 3"  
04 = 4"  
06 = 6"

ISOMETRIC VIEW  
WHEN USED TO CONNECT  
CHANNEL TO CHANNEL



4 International Drive  
Rye Brook, NY 10573  
Toll Free: 1 888.764.7681  
Phone: 914.934.2075  
Fax: 914.934.2190  
MonoSystems.com



**MonoSystems™**  
Expect. Direct.