

# Cable Tray / Channel Tray

# SBX-1237-X

## Channel Tray Accessories

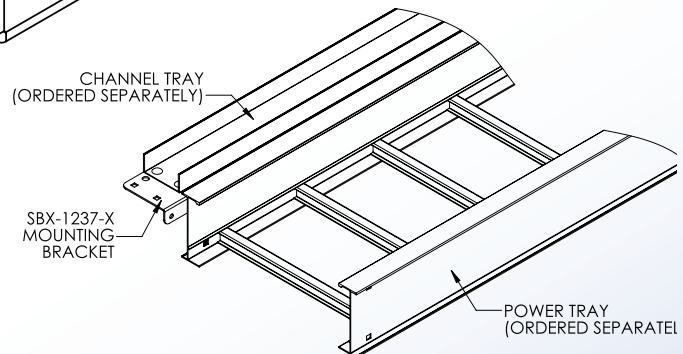
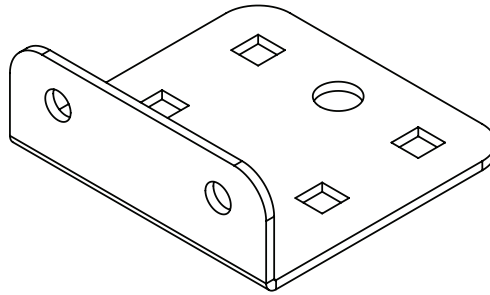
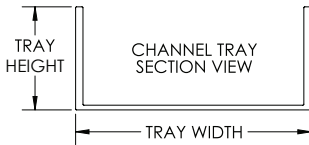
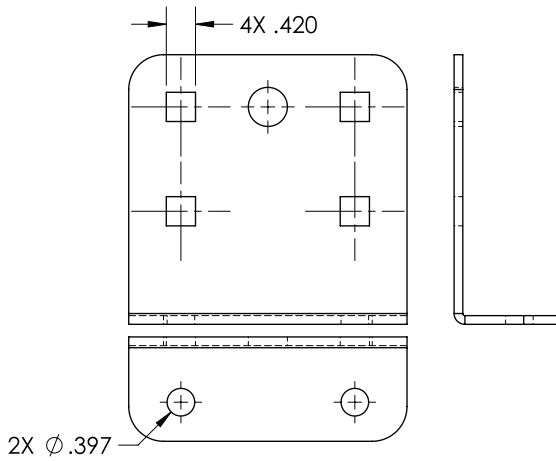
Manufactured in the USA by MonoSystems, Inc.



## Channel To Tray Mounting Bracket

### General Information

- 1.) Furnished as one bracket.
- 2.) Attach bracket plate to power tray using 3/8" hardware (by others). Attach bracket plate to channel tray using 3/8" hardware.
- 3.) Recommended torque: for 3/8" fasteners: 25-35 ft-lbs [33.9-47.5 N-m].
- 4.) Views for reference - do not scale.



### ORDERING DATA EXAMPLE:

# SB X - 1237 - X

MATERIAL

A = ALUMINUM  
 P = PREGLAV STEEL  
 G = HDGAF STEEL  
 SS4 = STAINLESS STEEL 304  
 SS6 = STAINLESS STEEL 316

WIDTH

03 = 3"  
 04 = 4"  
 06 = 6"

4 International Drive  
 Rye Brook, NY 10573  
 Toll Free: 1 888.764.7681  
 Phone: 914.934.2075  
 Fax: 914.934.2190  
 MonoSystems.com

