

Cable Tray / Channel Tray

SBX-104X

Channel Tray Accessories

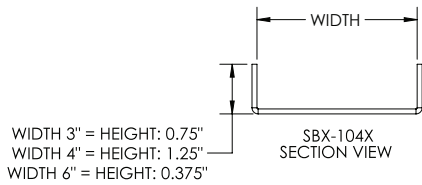
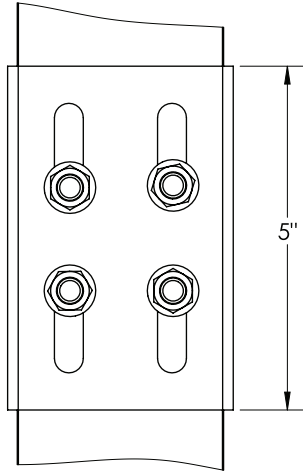
Manufactured in the USA by MonoSystems, Inc.



Channel Tray Splice Plate

General Information

- 1.) Attach splice plate to channel tray using provided 3/8" hardware as shown.
- 2.) Recommended torque: for 3/8" fasteners 25-35 ft-lbs [33.9-47.5 N-m].
- 3.) Views for reference - do not scale.



ORDERING DATA EXAMPLE:

SBX-104X

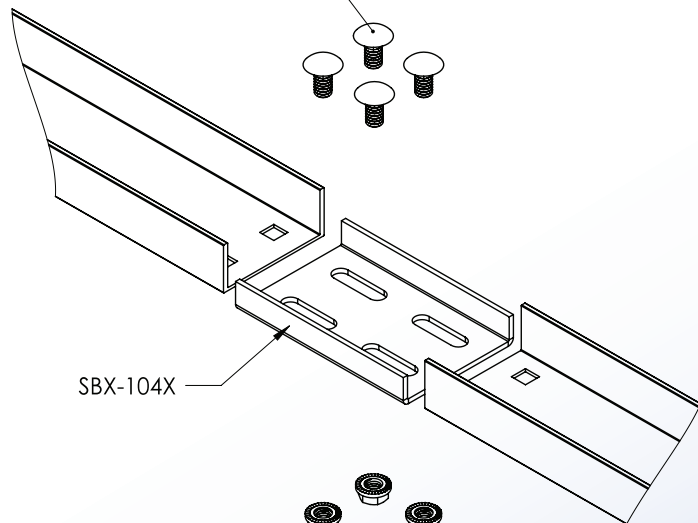
MATERIAL

TRAY WIDTH

A = ALUMINUM
P = PREGLAV STEEL
G = HDGAF STEEL
SS4 = STAINLESS STEEL 304
SS6 = STAINLESS STEEL 316

3 = 3"
4 = 4"
6 = 6"

4X 3/8" x 3/4" CARRIAGE BOLTS



SBX-104X

4X 3/8" SERRATED FLANGE NUTS

4 International Drive
Rye Brook, NY 10573
Toll Free: 1 888.764.7681
Phone: 914.934.2075
Fax: 914.934.2190
MonoSystems.com



MonoSystems™
Expect. Direct.