

Cable Tray / Ladder Tray

CS-HE15-XXXXXA

PowerTray™ Fittings

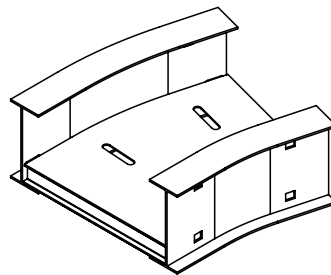
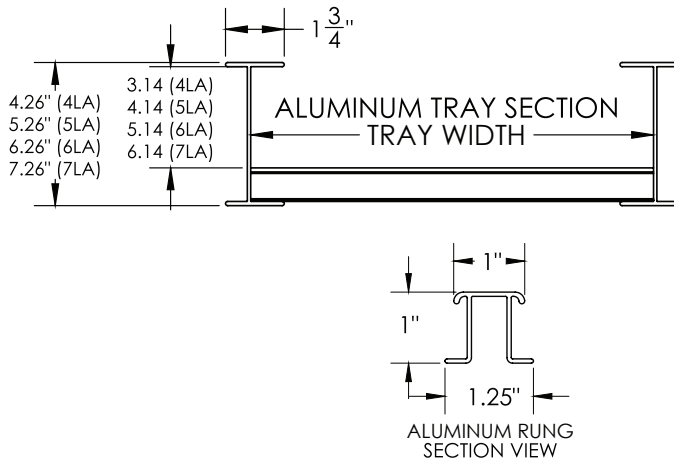
Manufactured in the USA by MonoSystems, Inc.



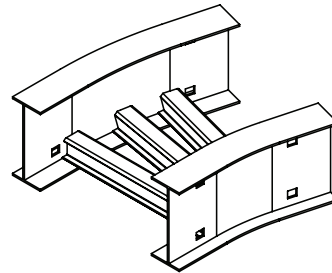
15 HORIZONTAL ELBOW B, C, D & E SERIES RAIL

Notes

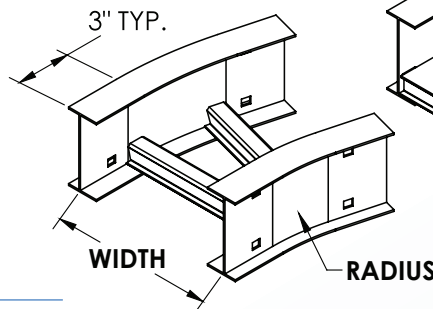
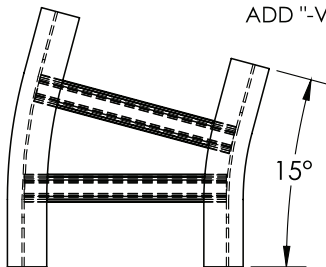
- 1.) One pair of splice connectors and included hardware are provided for each fitting. (M.S.I P/N: A4-2001, A5-2001, A6-2001, A7-2001).
- 2.) Views for reference, do not scale.



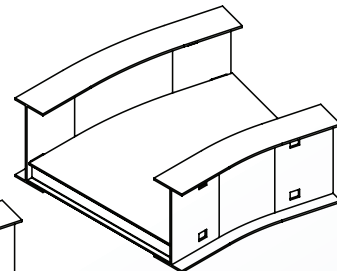
ALUMINUM HORIZONTAL 15° ELBOW
TRAY TYPE: SOLID VENTED BOTTOM
ADD "-V" TO END OF SOLID BOTTOM PART NUMBER



ALUMINUM HORIZONTAL 15° ELBOW
TRAY TYPE: VENTED BOTTOM



ALUMINUM HORIZONTAL 15° ELBOW
TRAY TYPE: LADDER "L"



ALUMINUM HORIZONTAL 15° ELBOW
TRAY TYPE: SOLID BOTTOM "S"

ORDERING DATA EXAMPLE:

HE 15 - R1 W1 X X A

FITTING TYPE	ANGLE	RADIUS	WIDTH	HEIGHT	ANGLE
HE = HORIZONTAL ELBOW	15 = 15°	12 = 12" 18 = 18" 24 = 24" 30 = 30" 36 = 36"	06 = 6" 09 = 9" 12 = 12" 18 = 18" 24 = 24" 30 = 30" 36 = 36" 42 = 42"	4 = 4" (3" DEPTH) 5 = 5" (4" DEPTH) 6 = 6" (5" DEPTH) 7 = 7" (6" DEPTH)	A = ALUMINUM
					TRAY TYPE
					L = LADDER S = SOLID BOTTOM V = VENTED BOTTOM

4 International Drive
Rye Brook, NY 10573
Toll Free: 1 888.764.7681
Phone: 914.934.2075
Fax: 914.934.2190
MonoSystems.com



MonoSystems™
wire management. managed.™