

Cable Tray / Ladder / Aluminum F8A SERIES

NEMA Load Class: 20C +

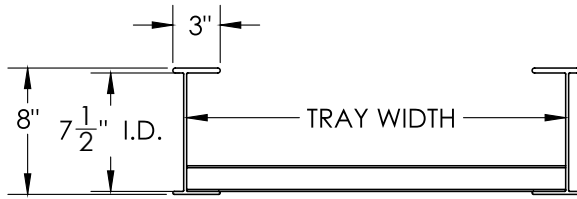
PowerTray™

Manufactured by MonoSystems, Inc.

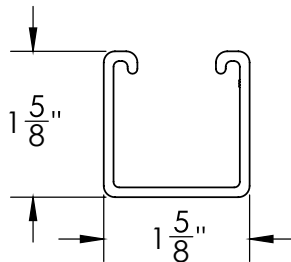
F8A Series Aluminum Cable Tray

Notes:

- 1.) One pair of splice connectors and included 1/2" hardware are provided for each straight tray (M.S.I P/N: A8-2001).
- 2.) Classified as an equipment grounding conductor per N.E.C. 392.7 with a maximum 2000 Ampere rating. UL cross sectional area: 2in².
- 3.) Views for reference - do not scale.



SECTION VIEW



RUNG SECTION



ORDERING DATA EXAMPLE:

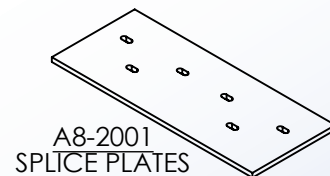
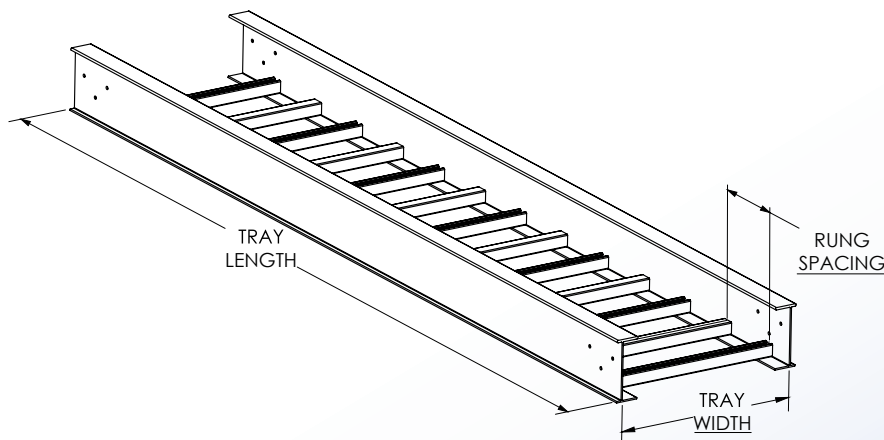
F8 A X - X - X - FP - K

RAIL SERIES	MATERIAL	RUNG SPACING	TRAY WIDTH	TRAY LENGTH	PLATE
F8	A = ALUMINUM	09 = 9" 12 = 12"	12 = 12" 18 = 18" 24 = 24" 30 = 30" 36 = 36"	360 = 30 FT. 300 = 25 FT. 480 = 40 FT.	NONE = REGULAR PLATE FP = FLATE PLATE

POWER-TRAY RAIL DATA	RAIL TYPE: F8A						
SPAN (ft.)	20	22	24	26	28	30	40
MAX LOAD (lbs/ft)	363	300	252	215	185	161	101
DEFLECTION MULTIPLIER	0.007	0.010	0.013	0.019	0.025	0.033	0.146

9" RUNG SPACING	APPROXIMATE WEIGHT (lbs)	
	25ft LONG	30ft LONG
12" WIDE TRAY	213	253
18" WIDE TRAY	225	267
24" WIDE TRAY	236	281
30" WIDE TRAY	248	295
36" WIDE TRAY	260	309

12" RUNG SPACING	APPROXIMATE WEIGHT (lbs)	
	25ft LONG	30ft LONG
12" WIDE TRAY	208	246
18" WIDE TRAY	217	257
24" WIDE TRAY	225	267
30" WIDE TRAY	234	278
36" WIDE TRAY	243	288



A8-2001
SPLICE PLATES

4 International Drive
Rye Brook, NY 10573
Toll Free: 1 888.764.7681
Phone: 914.934.2075
Fax: 914.934.2190
MonoSystems.com

