

Cable Tray / Ladder Tray CSUP-XX-XX

CableTray Accessories

Manufactured in the USA by MonoSystems, Inc.



C-SUPPORT BRACKET

Notes

- 1.) Ordered as each. For cable tray installation under ceilings or overhangs. Can be stacked for multiple levels of cable tray support.
- 2.) Bracket material: 13/16"x1-5/8" 14GA steel.
- 3.) Tray mounting hardware ordered separately. Wall or ceiling mounting hardware by others.
- 4.) Views for reference - Do not scale.

ORDERING DATA EXAMPLE:

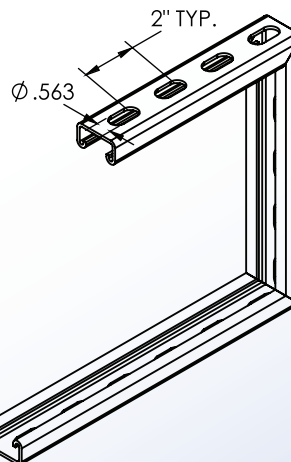
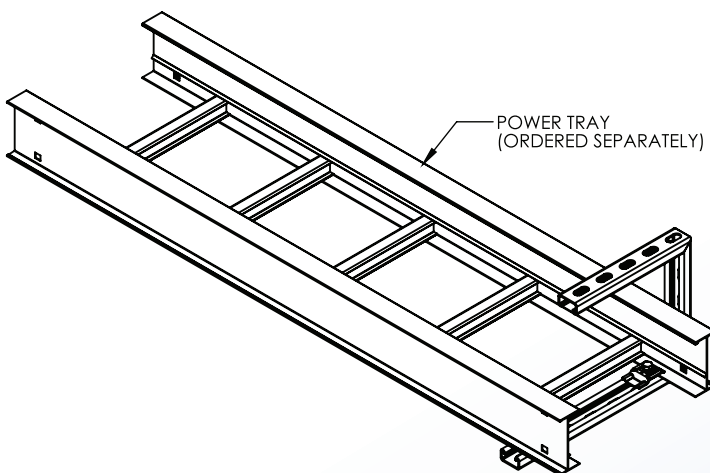
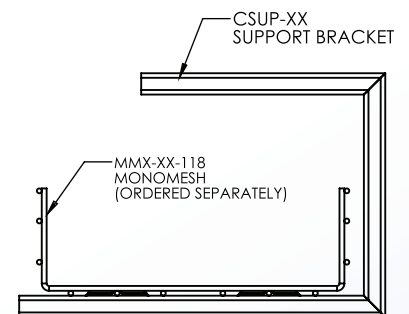
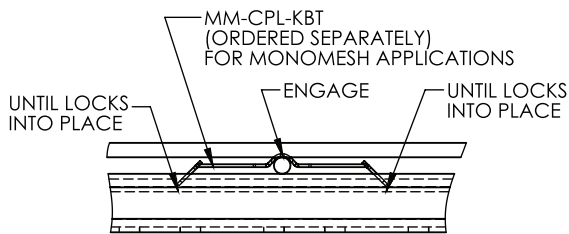
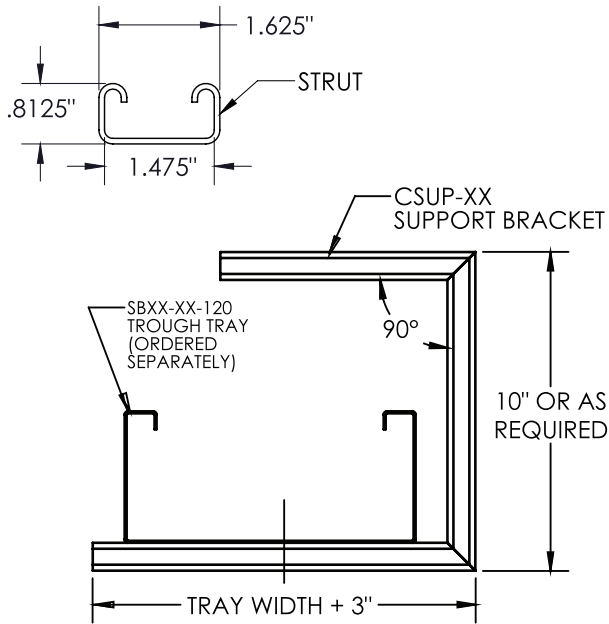
CSUP-XX-XX

TRAY WIDTH

- 4 = 4" WIDE
- 6 = 6" WIDE
- 8 = 8" WIDE
- 9 = 9" WIDE
- 10 = 10" WIDE
- 12 = 12" WIDE
- 18 = 18" WIDE

MATERIAL

- P = PREGALV
- HD = HDGAF
- PG = PAINTED GRAY
- PB = PAINTED BLACK



4 International Drive
Rye Brook, NY 10573
Toll Free: 1 888.764.7681
Phone: 914.934.2075
Fax: 914.934.2190
MonoSystems.com



MonoSystems
wire management. managed.