

Cable Tray / Ladder Tray AX-2095-XX

PowerTray™ Accessories

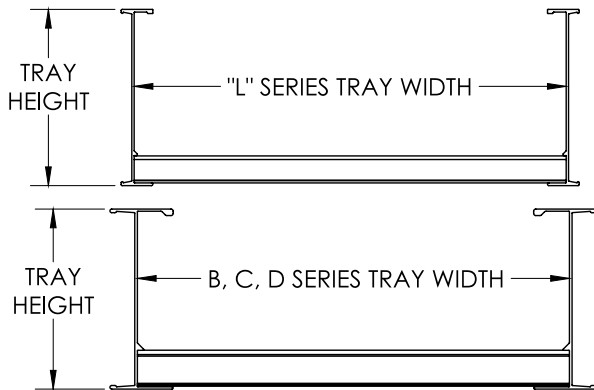
Manufactured in the USA by MonoSystems, Inc.



PEAKED COVER CLAMP ALUMINUM POWER TRAY

Notes

- 1.) Ordered as each. Includes mounting hardware.
- 2.) Use 3 clamps for continuous 12' covers and 2 clamps for each 6' cover.
- 3.) Views for reference - do not scale.



ORDERING DATA EXAMPLE:

A X - X 095 - XX

MATERIAL TRAY HEIGHT SERIES COVER TYPE TRAY/COVER WIDTH

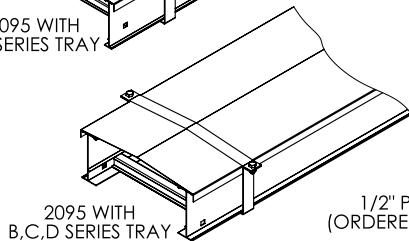
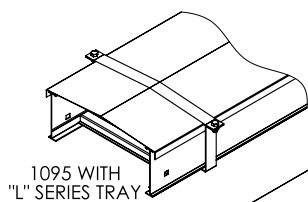
A = ALUMINUM

4 = 4" HIGH
5 = 5" HIGH
6 = 6" HIGH
7 = 7" HIGH

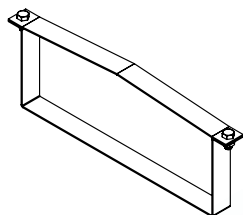
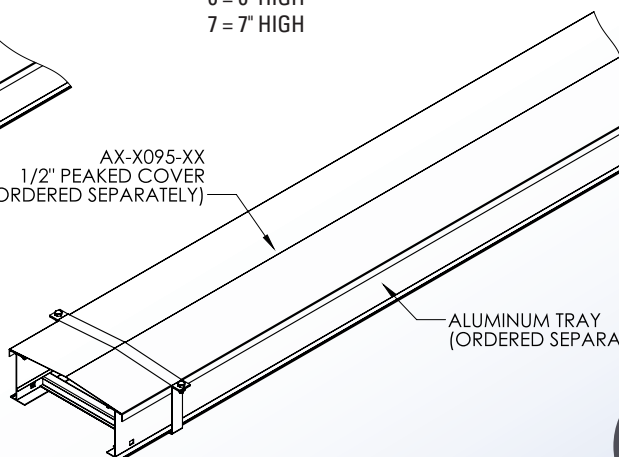
1 = "L" LITE SERIES
2 = SERIES: B,C,D

095 = PEAKED COVER CLAMP

06 = 6" WIDE
09 = 9" WIDE
12 = 12" WIDE
18 = 18" WIDE
24 = 24" WIDE
30 = 30" WIDE
36 = 36" WIDE



AX-X095-XX
1/2" PEAKED COVER
(ORDERED SEPARATELY)



4 International Drive
Rye Brook, NY 10573
Toll Free: 1 888.764.7681
Phone: 914.934.2075
Fax: 914.934.2190
MonoSystems.com



MonoSystems
wire management. managed.