

# Cable Tray / Ladder Tray AX-2095-W

## PowerTray™ Accessories

Manufactured in the USA by MonoSystems, Inc.



**PEAKED COVER HOLD CLAMP  
(SUITABLE FOR OUTDOOR USE)  
WIDTH AS NOTED L-SERIES / HVY SERIES  
ALUMINUM**



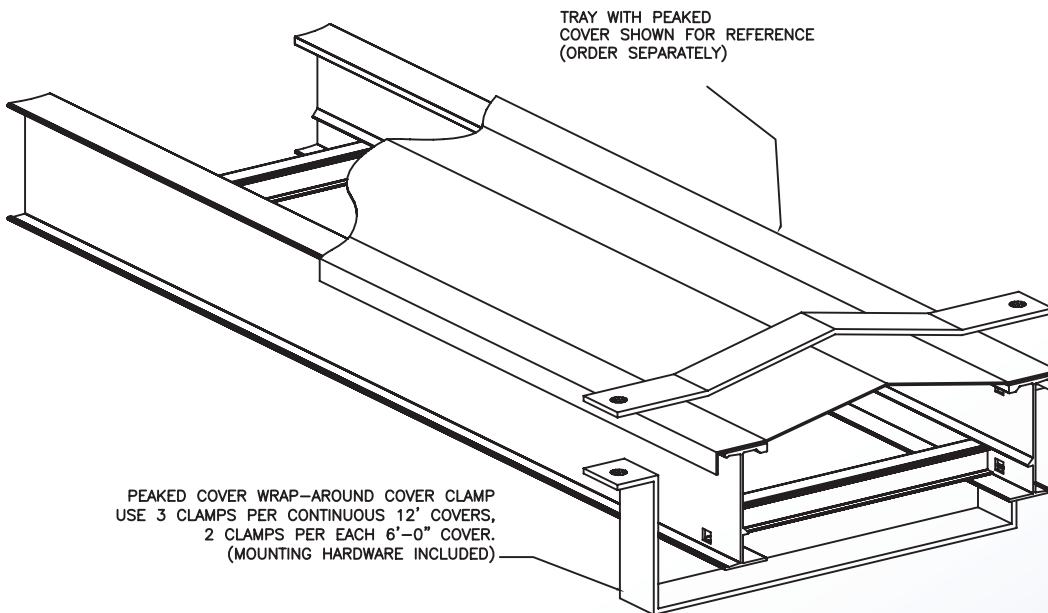
UL CLASSIFIED AS A  
GROUNDING CONDUCTOR

### ORDERING DATA EXAMPLE:

## A(H)-(\* )095-W

TRAY HEIGHT  
(SIDERAIL HEIGHT)

TRAY SERIES  
1 = "L" - SERIES TRAY WIDTH  
2 = B,C,D,E SERIES



TRAY WITH PEAKED  
COVER SHOWN FOR REFERENCE  
(ORDER SEPARATELY)

PEAKED COVER WRAP-AROUND COVER CLAMP  
USE 3 CLAMPS PER CONTINUOUS 12' COVERS,  
2 CLAMPS PER EACH 6'-0" COVER.  
(MOUNTING HARDWARE INCLUDED)

4 International Drive  
Rye Brook, NY 10573  
Toll Free: 1 888.764.7681  
Phone: 914.934.2075  
Fax: 914.934.2190  
MonoSystems.com



**MonoSystems™**  
wire management. managed.™