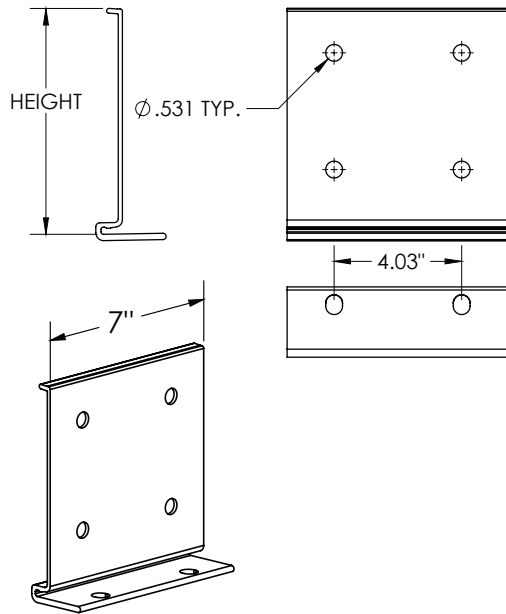


# Cable Tray / Ladder Tray AX-2012

## PowerTray™ Accessories

Manufactured by MonoSystems, Inc.

### HEAVY DUTY STANDARD MID-SPAN SPLICE PLATE

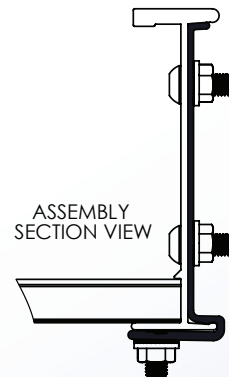
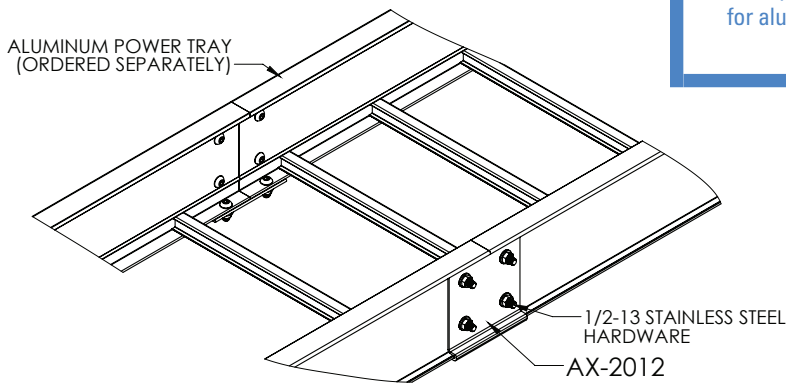


#### Notes:

- 1.) Ordered as pairs. Includes 1/2" mounting hardware.
- 2.) For 6" high HD6A & D6A aluminum side rail or 7" high D7A & E7A aluminum side rail.
- 3.) Splice plate material: 6063-T6 aluminum, hardware material: stainless steel.
- 4.) Available for use on ladder tray with 9" or 12" rung spacing only.
- 5.) To install to existing tray, position AX-2012 mid-span splice plate in place (as a template) centered about the seam of the tray connection. Using a marker or punch, mark the (6x) hole locations on the tray. Remove the mid-span splice plate and field drill 1/2" holes at the marked locations. Fasten to the side and bottom of side rail using supplied (6x) 1/2 - 13 x 1-1/4" button socket head stainless steel screws & (6X) 1/2 - 13 serrated flanged nuts (per connector side).
- 6.) Recommended torque: for 1/2" fasteners: 56 ft-lbs [75.9 N-m].
- 7.) Views for reference - do not scale.

#### Material:

Slice plate: 6063-T6 aluminum hardware: 316 stainless steel for aluminum side rail.



#### ORDERING DATA EXAMPLE:

# AX-2012-PR

A = ALUMINUM

6 = 6" HIGH RAIL  
7 = 7" HIGH RAIL

4 International Drive  
Rye Brook, NY 10573  
Toll Free: 1 888.764.7681  
Phone: 914.934.2075  
Fax: 914.934.2190  
MonoSystems.com

