

Cable Tray / Ladder Tray A6-2001

PowerTray™ Fittings

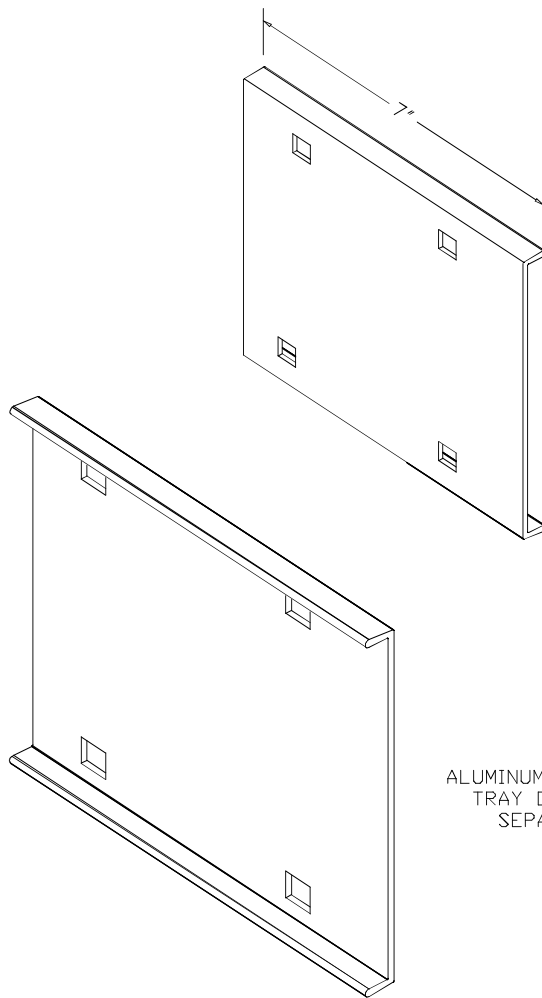
Manufactured in the USA by MonoSystems, Inc.



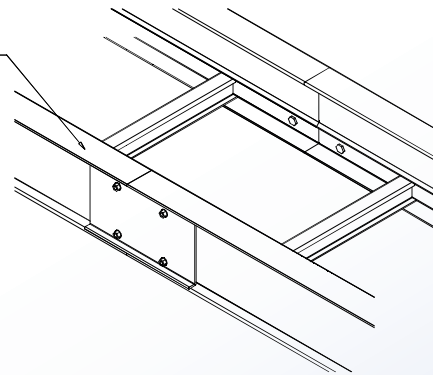
6" H SPLICE PLATE

Notes

- 7.) Sold as each. One pair of splice plates are required to complete connection.
- 7.) Hardware provided to ensure full and flush contact between splice plate and cable tray tighten to approx 19-25 ft. lbs.
- 7.) Views shown for reference, do not scale.



ALUMINUM POWER
TRAY ORDERED
SEPARATELY



4 International Drive
Rye Brook, NY 10573
Toll Free: 1 888.764.7681
Phone: 914.934.2075
Fax: 914.934.2190
MonoSystems.com



MonoSystems™
wire management. managed.™