

# Cable Tray / Ladder Tray

## A0-2074-HT-XXXX

PowerTray™ Fittings

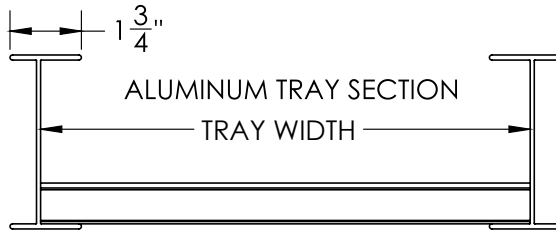
Manufactured in the USA by MonoSystems, Inc.



### HORIZONTAL TEE COVER, VENTED

#### Notes

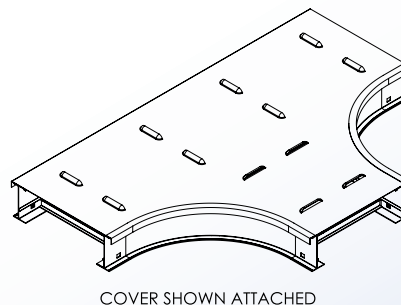
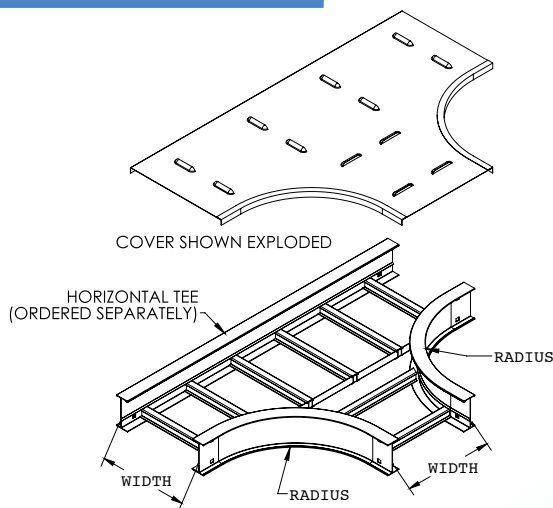
- 1.) Actual vent pattern will vary according to size.
- 2.) Views for reference - do not scale.



#### ORDERING DATA EXAMPLE:

## A0-2074-HT-XXW

TRAY MATERIAL	FITTING TYPE		RADIUS	WIDTH
A = ALUMINUM	SERIES = B, C, D & E VENTED COVER	HT = HORIZONTAL TEE	12 = 12" 18 = 18" 24 = 24" 36 = 36" 42 = 42"	09 = 9" WIDE 12 = 12" WIDE 18 = 18" WIDE 24 = 24" WIDE



4 International Drive  
Rye Brook, NY 10573  
Toll Free: 1 888.764.7681  
Phone: 914.934.2075  
Fax: 914.934.2190  
MonoSystems.com



**MonoSystems™**  
wire management. managed.