

Cable Tray / Ladder Tray

A0-2074-EHT-XXXX-XXA

PowerTray™ Fittings

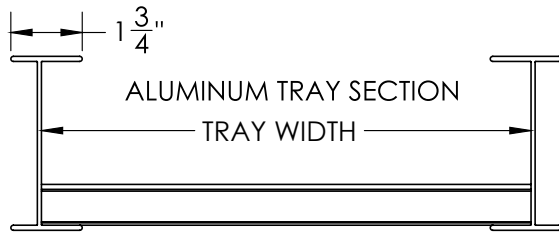
Manufactured in the USA by MonoSystems, Inc.



EXPANDING HORIZONTAL TEE COVER, VENTED

Notes

- 1.) Actual vent pattern will vary according to size.
- 2.) Views for reference - do not scale.



ORDERING DATA EXAMPLE:

A0-2074-EHT-XXW1-W2A

MATERIAL

A = ALUMINUM

FITTING TYPE

SERIES: B, C, D & E
VENTED
COVER

EHT = EXPANDING
HORIZONTAL
TEE

RADIUS

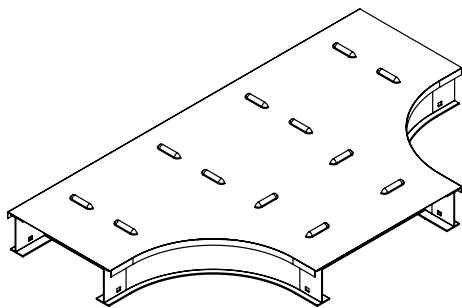
12 = 12"
18 = 18"
24 = 24"
36 = 36"
42 = 42"

WIDTH 1

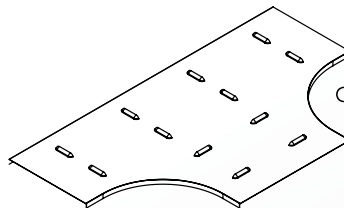
06 = 6" WIDE
09 = 9" WIDE
12 = 12" WIDE
18 = 18" WIDE
24 = 24" WIDE
30 = 30" WIDE
36 = 36" WIDE

WIDTH 2

06 = 6" WIDE
12 = 12" WIDE
18 = 18" WIDE
24 = 24" WIDE
30 = 30" WIDE
36 = 36" WIDE
42 = 42" WIDE

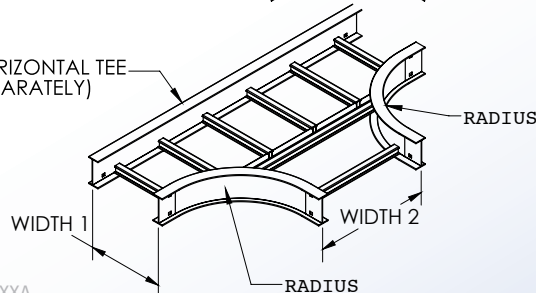


COVER SHOWN ATTACHED



COVER SHOWN EXPLODED

EXPANDING HORIZONTAL TEE
(ORDERED SEARATELY)



4 International Drive
Rye Brook, NY 10573
Toll Free: 1 888.764.7681
Phone: 914.934.2075
Fax: 914.934.2190
MonoSystems.com



MonoSystems™
wire management. managed.