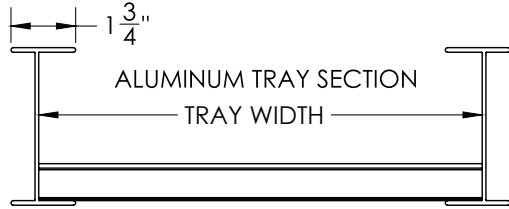


Cable Tray / Ladder Tray

A0-2072-RHT-XXXX-XX

PowerTray™ Fittings
 Manufactured by MonoSystems, Inc.



REDUCING HORIZONTAL TEE COVER

Notes:

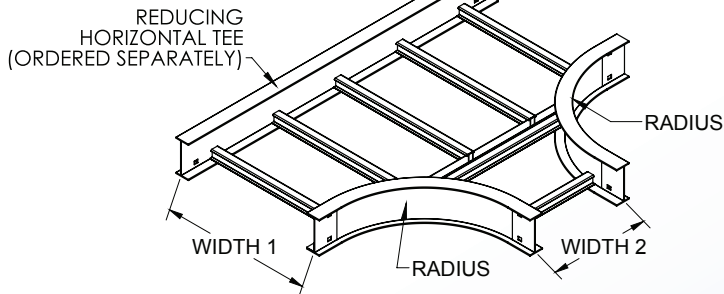
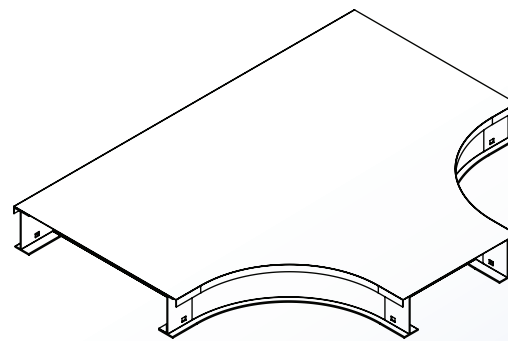
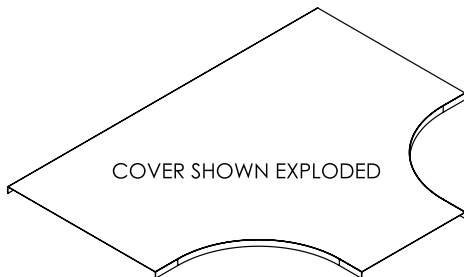
1.) Views for reference - do not scale.



ORDERING DATA EXAMPLE:

A0-2072-RHT-XX W1-W2

MATERIAL	FITTING TYPE	RHT =	RADIUS	WIDTH 1	WIDTH 2
A = ALUMINUM	SERIES: B, C, D & E STANDARD COVER	REDUCING HORIZONTAL TEE	12 = 12" 24 = 24" 36 = 36" 42 = 42"	09 = 9" 12 = 12" 18 = 18" 24 = 24" 30 = 30" 36 = 36" 42 = 42"	06 = 6" 09 = 9" 12 = 12" 18 = 18" 24 = 24" 30 = 30" 36 = 36"



4 International Drive
 Rye Brook, NY 10573
 Toll Free: 1 888.764.7681
 Phone: 914.934.2075
 Fax: 914.934.2190
 MonoSystems.com

