

Cable Tray / Ladder Tray

A0-2072-HT-XXXX

PowerTray™ Fittings

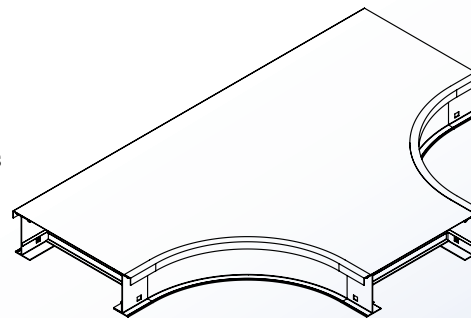
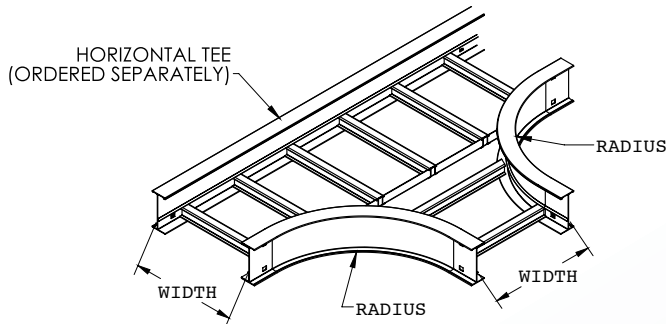
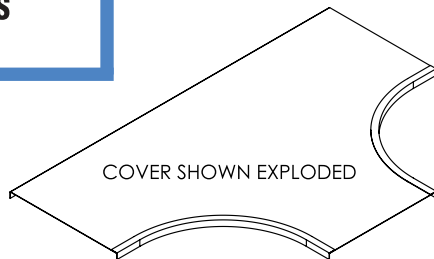
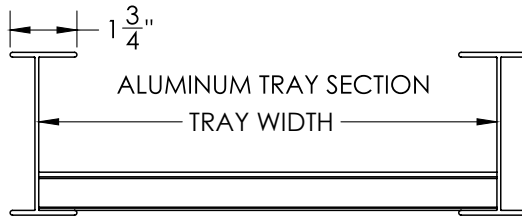
Manufactured in the USA by MonoSystems, Inc.



HORIZONTAL TEE COVER

Notes

1.) Views for reference - do not scale.



ORDERING DATA EXAMPLE:

A0-2072-HT-XX-W

TRAY MATERIAL	FITTING TYPE		RADIUS	WIDTH
A = ALUMINUM	SERIES: B, C, D & E STANDARD COVER	HT = HORIZONTAL TEE	12 = 12" 18 = 18" 24 = 24" 36 = 36" 42 = 42"	09 = 9" WIDE 12 = 12" WIDE 18 = 18" WIDE 24 = 24" WIDE 30 = 30" WIDE 36 = 36" WIDE 42 = 42" WIDE

4 International Drive
Rye Brook, NY 10573
Toll Free: 1 888.764.7681
Phone: 914.934.2075
Fax: 914.934.2190
MonoSystems.com



MonoSystems™
wire management. managed.™