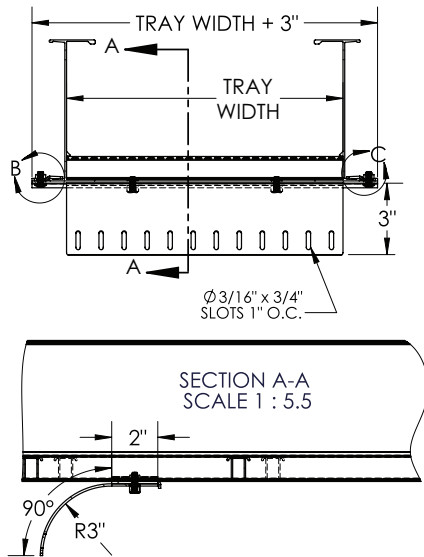


# Cable Tray / Ladder Tray

## A0-2051-XX-BTD-V2

PowerTray™ Accessories  
 Manufactured by MonoSystems, Inc.

### NON-RUNG MOUNTING BOTTOM OF TRAY DROP OUT FOR POWER TRAY

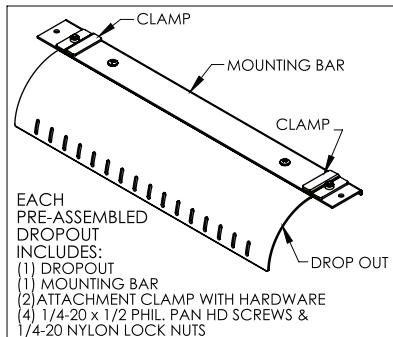


#### Notes

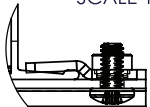
- 1.) Ordered as each.
- 2.) Non-rung mounting design for installation of dropout from below tray. No drilling required.
- 3.) Slots provided for easy cable tie attachment (by others).
- 4.) Views for reference - do not scale.

#### Installation

- 5.) To install, position mounting bar with attached drop out centered in place below aluminum PowerTray.
- 6.) With mounting bar flush against bottom of tray, feed (2x) 1/4-20 pan head bolts upward thru clearance holes in mounting bar and into threads of pem nuts within mounting clips.
- 7.) Orient clamps in place such that they clamp against bottom outer side rail lip of tray (as shown). Tighten 1/4-20 pan head bolts allowing the clamps to pull against tray lip until snug.



DETAIL C  
 SCALE 1 : 2



#### ORDERING DATA EXAMPLE:

## A0-2051-XX-BTD-V2

#### MATERIAL

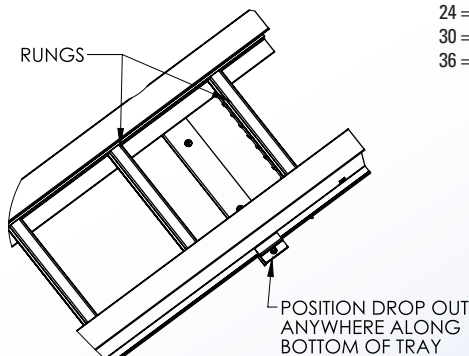
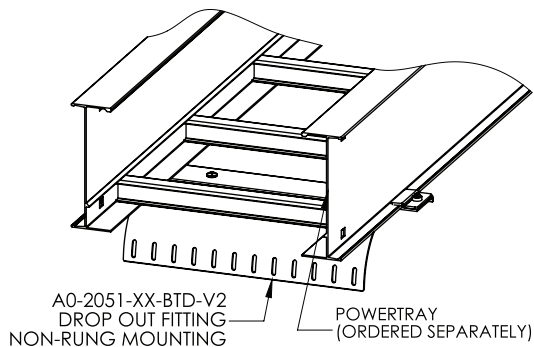
A = ALUMINUM

#### SERIES

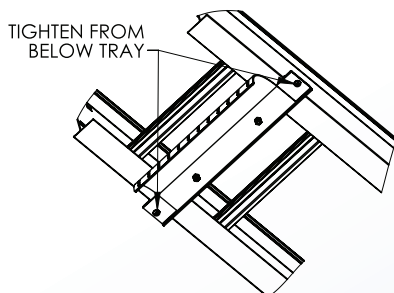
2 = SERIES: B,C,D

#### SERIES

- 06 = FOR 6" WIDE
- 09 = FOR 9" WIDE
- 12 = FOR 12" WIDE
- 18 = FOR 18" WIDE
- 24 = FOR 24" WIDE
- 30 = FOR 30" WIDE
- 36 = FOR 36" WIDE



SEE NOTE 6 & 7



4 International Drive  
 Rye Brook, NY 10573  
 Toll Free: 1 888.764.7681  
 Phone: 914.934.2075  
 Fax: 914.934.2190  
 MonoSystems.com



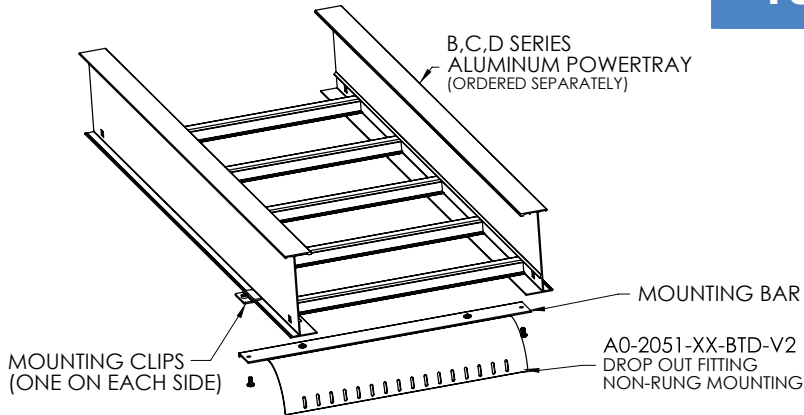
# Cable Tray / Ladder Tray

## A0-2051-XX-BTD-V2

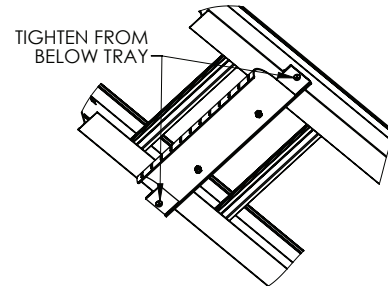
PowerTray™ Accessories  
 Manufactured by MonoSystems, Inc.

### INSTALLATION STEP 1

TO INSTALL, POSITION MOUNTING BAR WITH ATTACHED DROP OUT CENTERED IN PLACE BELOW ALUMINUM POWERTRAY

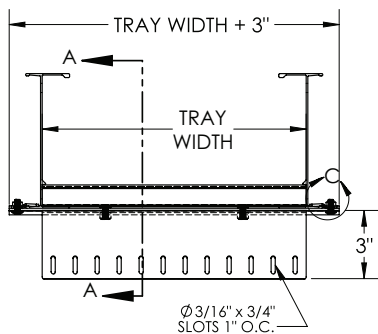


## NON-RUNG MOUNTING BOTTOM OF TRAY DROP OUT FOR POWER TRAY



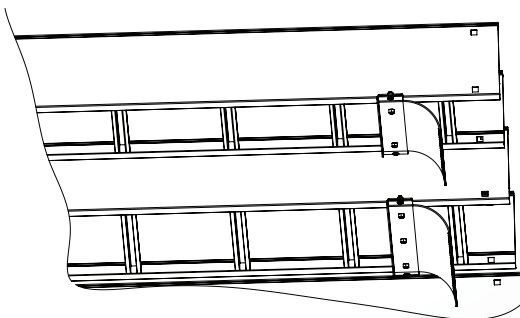
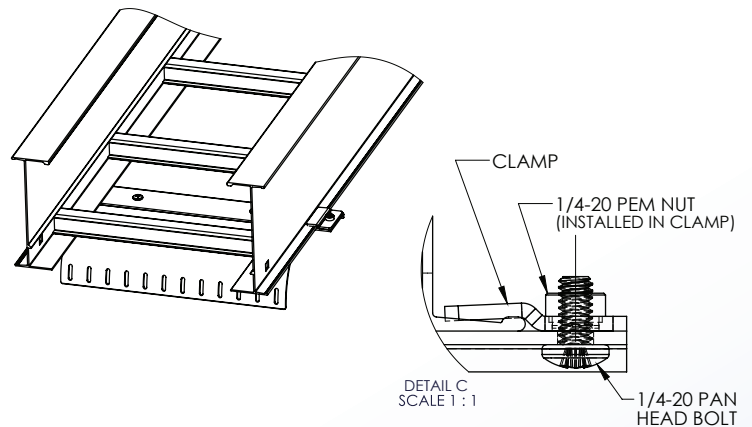
### INSTALLATION STEP 2

WITH MOUNTING BAR FLUSH AGAINST BOTTOM OF TRAY, FEED (2X) 1/4-20 PAN HEAD BOLTS UPWARD THRU CLEARANCE HOLES IN MOUNTING BAR AND INTO THREADS OF PEM NUTS WITHIN MOUNTING CLIPS.

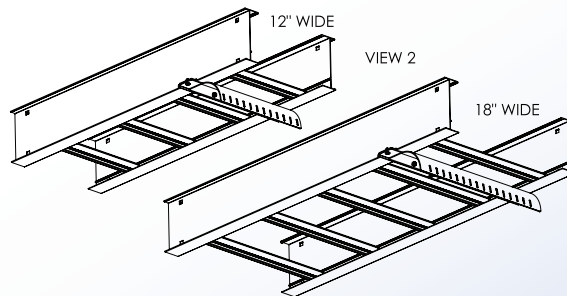


### INSTALLATION STEP 3

ORIENT CLAMPS IN PLACE SUCH THAT THEY CLAMP AGAINST BOTTOM OUTER SIDE RAIL LIP OF TRAY (AS SHOWN). TIGHTEN 1/4-20 PAN HEAD BOLTS ALLOWING THE CLAMPS TO PULL AGAINST TRAY LIP UNTIL SNUG.



VIEW 1



4 International Drive  
 Rye Brook, NY 10573  
 Toll Free: 1 888.764.7681  
 Phone: 914.934.2075  
 Fax: 914.934.2190  
 MonoSystems.com

